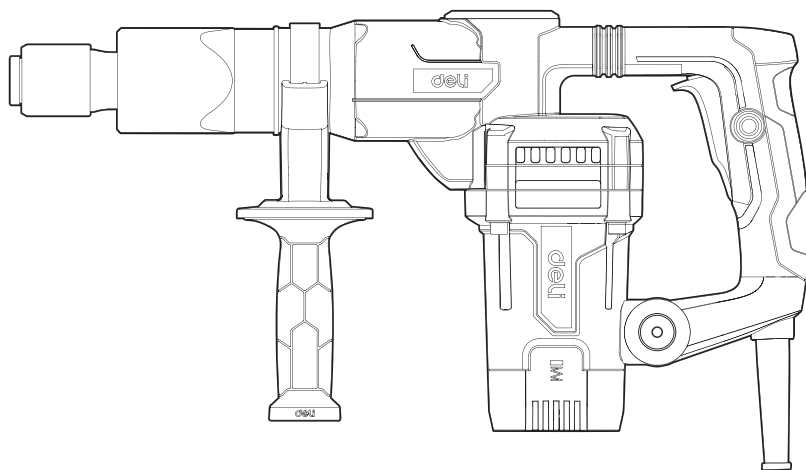


deli

DE-DG5-2E DE-DG5-2G



EN Demolition breaker
DE Elektrische Spitzhacke
FR Marteau de démolition
ES Martillo de demolición

PT Demolidor eléctrico
RU Отбойный молоток
AR المعول الكهربائي

Specifications







Model	DE-DG5-2E	DE-DG5-2G
Rated voltage	220-240V~ 50-60Hz	
Rated input power	1200W	
Impact frequency	3900bpm	
Impact energy	20J	
Safety class	□/II	
Working system	30s/90s	
Machine weight	6Kg	

Standard accessories:

- Wrench
- Grease

It is recommended to select the accessories from the store where you purchased your power tool. Please select the correct accessories for your job. Please refer to the accessories package for more usage and help.

Symbols

 Read the instruction manual	 Warning sign	 Double insulation
 Please wear protective earmuffs	 Please wear safety glasses	 Please wear masks

Original Instructions

General power tool safety warnings

WARNING Read all safety warnings, instructions, illustrations and specifications provided with this power tool. Failure to follow all instructions listed below may result in electric shock, fire and/or serious injury.

Save all warnings and instructions for future reference. The term "power tool" in the warnings refers to your mains-operated (corded) power tool or battery-operated (cordless) power tool.

Work area safety

- Keep work area clean and well lit.** Cluttered or dark areas invite accidents.
- Do not operate power tools in explosive atmospheres, such as in the presence of flammable liquids, gases or dust.** Power tools create sparks which may ignite the dust/fumes.
- Keep children and bystanders away while operating a power tool.** Distractions can cause you to lose control.

Electrical safety

- Power tool plugs must match the outlet. Never modify the plug in any way. Do not use any adapter plugs with earthed (grounded) power tools.** Unmodified plugs and matching outlets will reduce risk of electric shock.
- Avoid body contact with earthed or grounded surfaces, such as pipes, radiators, ranges and refrigerators.** There is an increased risk of electric shock if your body is earthed or grounded.
- Do not expose power tools to rain or wet conditions.** Water entering a power tool will increase the risk of electric shock.
- Do not abuse the cord. Never use the cord for carrying, pulling or unplugging the power tool. Keep cord away from heat, oil, sharp edges or moving parts.** Damaged or entangled cords increase the risk of electric shock.
- When operating a power tool outdoors, use an extension cord suitable for outdoor use.** Use of a cord suitable for outdoor use reduces the risk of electric shock.

- 6. If operating a power tool in a damp location is unavoidable, use a residual current device (RCD) protected supply.** Use of an RCD reduces the risk of electric shock.

Personal safety

- 1. Stay alert, watch what you are doing and use common sense when operating a power tool. Do not use a power tool while you are tired or under the influence of drugs, alcohol or medication.** A moment of inattention while operating power tools may result in serious personal injury.
- 2. Use personal protective equipment. Always wear eye protection.** Protective equipment such as a dust mask, non-skid safety shoes, hard hat or hearing protection used for appropriate conditions will reduce personal injuries.
- 3. Prevent unintentional starting. Ensure the switch is in the off-position before connecting to power source and/or battery pack, picking up or carrying the tool.** Carrying power tools with your finger on the switch or energising power tools that have the switch on invites accidents.
- 4. Remove any adjusting key or wrench before turning the power tool on.** A wrench or a key left attached to a rotating part of the power tool may result in personal injury.
- 5. Do not overreach. Keep proper footing and balance at all times.** This enables better control of the power tool in unexpected situations.
- 6. Dress properly. Do not wear loose clothing or jewellery. Keep your hair and clothing away from moving parts.** Loose clothes, jewellery or long hair can be caught in moving parts.
- 7. If devices are provided for the connection of dust extraction and collection facilities, ensure these are connected and properly used.** Use of dust collection can reduce dust-related hazards.
- 8. Do not let familiarity gained from frequent use of tools allow you to become complacent and ignore tool safety principles.** A careless action can cause severe injury within a fraction of a second.

Power tool use and care

- 1. Do not force the power tool. Use the correct power tool for your application.** The correct power tool will do the job better and safer at the rate for which it was designed.
- 2. Do not use the power tool if the switch does not turn it on and off.** Any power tool that cannot be controlled with the switch is

dangerous and must be repaired.

- 3. Disconnect the plug from the power source and/or remove the battery pack, if detachable, from the power tool before making any adjustments, changing accessories, or storing power tools.** Such preventive safety measures reduce the risk of starting the power tool accidentally.
- 4. Store idle power tools out of the reach of children and do not allow persons unfamiliar with the power tool or these instructions to operate the power tool.** Power tools are dangerous in the hands of untrained users.
- 5. Maintain power tools and accessories. Check for misalignment or binding of moving parts, breakage of parts and any other condition that may affect the power tool's operation. If damaged, have the power tool repaired before use.** Many accidents are caused by poorly maintained power tools.
- 6. Keep cutting tools sharp and clean.** Properly maintained cutting tools with sharp cutting edges are less likely to bind and are easier to control.
- 7. Use the power tool, accessories and tool bits etc. in accordance with these instructions, taking into account the working conditions and the work to be performed.** Use of the power tool for operations different from those intended could result in a hazardous situation.
- 8. Keep handles and grasping surfaces dry, clean and free from oil and grease.** Slippery handles and grasping surfaces do not allow for safe handling and control of the tool in unexpected situations.

Service

- 1. Have your power tool serviced by a qualified repair person using only identical replacement parts.** This will ensure that the safety of the power tool is maintained.

Hammer safety warnings

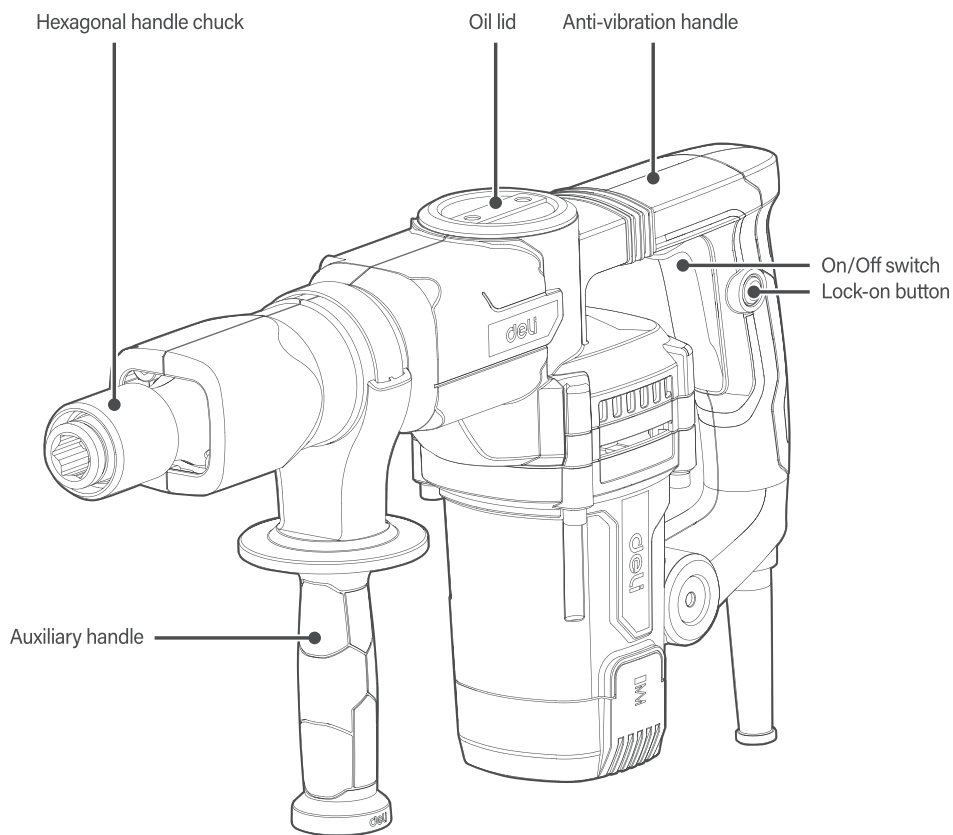
Safety instructions for all operations

- 1. Wear ear protectors.** Exposure to noise can cause hearing loss.
- 2. Use auxiliary handle(s), if supplied with the tool.** This tool produces a high output torque and without properly bracing the tool during operation, loss of control may occur resulting in personal injury.

3. **Hold the power tool by insulated gripping surfaces, when performing an operation where the cutting accessory**
Brace the tool properly before use. This tool produces a high output torque and without properly bracing the tool during operation, loss of control may occur resulting in personal injury.
4. **Hold the power tool by insulated gripping surfaces, when performing an operation where the cutting accessory may contact hidden wiring or its own cord.** Cutting accessory contacting a "live" wire may make exposed metal parts of the power tool "live" and could give the operator an electric shock.

Safety instructions when using long drill bits with rotary hammers

1. **Always start drilling at low speed and with the bit tip in contact with the workpiece.** At higher speeds, the bit is likely to bend if allowed to rotate freely without contacting the workpiece, resulting in personal injury.
2. **Apply pressure only in direct line with the bit and do not apply excessive pressure.** Bits can bend, causing breakage or loss of control, resulting in personal injury.



Operation Instructions

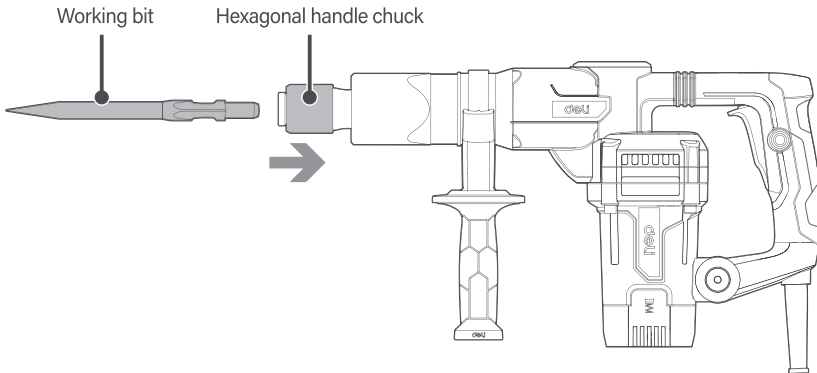
Note: Read the Instruction Manual before operation.

1 Install or remove the working bit

Warning! Be sure to turn off the power of the machine and unplug the power cord from the power socket before installing or removing the working bit.

Install the working bit: fully pull down the hexagonal handle chuck and then insert the working bit into the working bit holder all the way to the end. Now if the hexagonal handle chuck is released, this ring will return to the original position to secure the working bit. After installation, be sure to pull the working bit to confirm that the bit has been secured in place.

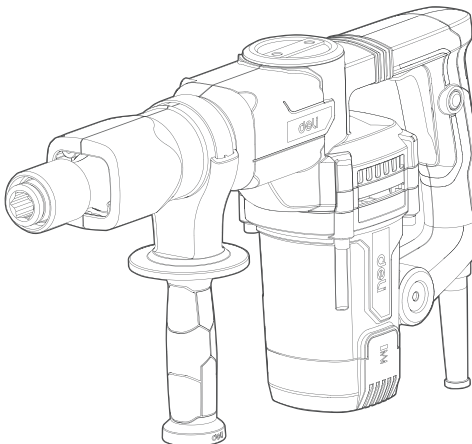
To remove the working bit, fully pull down the adjusting ring to pull out the working bit.



2 Auxiliary handle

The position of the auxiliary handle can be adjusted as required to improve work safety and comfort during work. The auxiliary handle can be turned to any desired position. Rotate the knob forward to release it. Turn the auxiliary handle to the position most suitable for your work, and then tighten the knob in reverse.

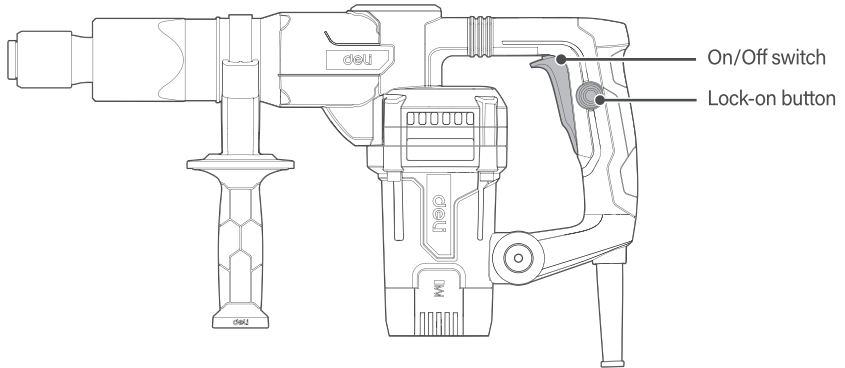
Warning! Auxiliary handles must be used during operation.



3 On/Off

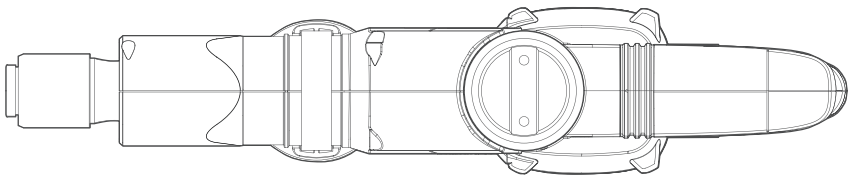
1. Before inserting the power plug of the machine, it is necessary to confirm whether the On/Off switch can be easily activated and whether it can return to the "off" position after the switch is released. Press the On/Off switch to start the machine. Release the On/Off switch to stop the machine.
2. During continuous operation, press the On/Off switch and then press the self-locking button. To shut down the machine from the locked position, press the On/Off switch all the way and then release it.

Warning: If the machine is seriously hot, please let your machine run for 2-3 minutes without load to cool the motor.



4 Chiseling, peeling, and dismantling

During operation, be sure to firmly grasp both the auxiliary handle and the switch handle, hold the tool tightly, then start the tool and press it gently, so that the tool will not bounce around out of control. Pressing the tool forcefully will not improve efficiency.



Maintenance

Before performing any replacement work on the machine, be sure to pull out the plug first. This electric tool requires refilling lubricating oil. Clean the machine with dry rag after use. Attention: Never use water or chemical cleaning agent to clean the machine, so as not to affect the performance of the machine enclosure or cause electric leakage and other accidents. Always keep the air inlet of the motor clean and unobstructed to prevent debris from accumulating at the air inlet and affecting the cooling of the motor. In addition, try not to use it in a dusty environment. Occasional sparks may appear at the air outlet, which is a normal phenomenon and will not cause damage to the machine. If the power cord is damaged, in order to avoid danger, it must be replaced by the manufacturer, authorized maintenance center or qualified professionals.

Run the machine for a few minutes to preheat it, turn off the machine, and unplug the power plug. Open the oil lid with the wrench supplied with the machine, then place the machine on the table and place the working bit upwards to collect the old lubricating oil into the oil lid cover, remove the old lubricating oil and apply new lubricating oil.

Note: Overfilling lubricating oil may cause hammer action failure or machine malfunction.

Operation Instructions



Warning: Before performing any replacement or maintenance work on the machine, be sure to pull out the plug first.

This electric tool requires refilling lubricating oil. Clean the machine with dry rag after use. Attention: Never use water or chemical cleaning agent to clean the machine, so as not to affect the performance of the machine enclosure or cause electric leakage and other accidents. Always keep the air inlet of the motor clean and unobstructed to prevent debris from accumulating at the air inlet and affecting the cooling of the motor. In addition, try not to use it in a dusty environment. Check the tightness of screws and nuts before use. If the power cord is damaged, in order to avoid danger, it must be replaced by the manufacturer, authorized maintenance center or qualified professionals.

Environmental protection



Disposal of waste

In response to environmental protection, damaged machines, accessories and packaging materials must be sorted carefully for easy recycling. In order to facilitate sorting and recycling, all plastic parts are marked with materials.

Product Warranty Card

Dear users :

Thank you for buying our products. In order to ensure your profit, users who buy our products can contact local distributor or Specified repair stations with invoice and warranty cards if the product failures due to quality problems.

Warranty Notice:

1. From _____ (Year/Month/Day) to _____ (Year/Month/Day), If the failure happen in normal use, our company will provide free warranty, parts replacement and other services according to the failure situation.
2. This warranty card and purchase invoice are the voucher of after-sales service provided by our company to customers. The card must be detailed only after filling in the following form and affixing the official seal with the distributor.
3. In one of the following cases, free warranty service will be invalid, and maintenance fees will be required:
 - (1) Exceed the expiration date.
 - (2) Failure or damage caused by not following the requirements of the product manual, maintenance or improper storage.
 - (3) Failure or damage caused by disassembling, repairing or modification of the product without the permission of our company.
 - (4) Machine breakdown or damage caused by force majeure.
 - (5) Consumable accessories.

This card is issued with the product. One card for one machine, to ensure that you can fully enjoy the right to free warranty service provided by the company, please keep this card properly, lost will not be replaced.

Purchase Date: _____ (Year/Month/Day)

Product Certificate

Inspector:

01

Date of manufacture:

NINGBO DELI TOOLS CO., LTD.
No. 128 Chezhan West Road, Huangtan Town,
Ninghai County, Ningbo, Zhejiang, China
delitoolsglobal@nbdeli.com
www.delitoolsglobal.com
+86 574 87562689
MADE IN CHINA

Reserved for future use
Version: 1.0
Date: June., 2022



Technische Daten







Modell	DE-DG5-2E	DE-DG5-2G
Nennspannung	220-240V~ 50/60Hz	
Nenneingangsleistung	1200 W	
Schlagfrequenz	3900 bpm	
Schlagenergie	20 J	
Sicherheitsklasse	□/II	
Betriebssystem	30 s / 90 s	
Gewicht	6 kg	

Standardzubehör:

- Schlüssel
- Schmierfett

Es wird empfohlen, das Zubehör in dem Geschäft zu erwerben, in dem Sie Ihr Elektrowerkzeug gekauft haben. Bitte wählen Sie das richtige Zubehör für Ihre Arbeit. Weitere Informationen zur Verwendung und Hilfe finden Sie im Zubehöropaket.

Symbole

 Lesen Sie die Anleitung	 Warnzeichen	 Doppelte Isolierung
 Tragen Sie einen Gehörschutz	 Tragen Sie eine Schutzbrille	 Tragen Sie Schutzmasken

Originalanleitung

Allgemeine Sicherheitshinweise für Elektrowerkzeuge

ACHTUNG Lesen Sie alle Sicherheitshinweise, Anweisungen, Abbildungen und Spezifikationen, die diesem Elektrowerkzeug beiliegen.

Die Nichtbeachtung aller unten aufgeführten Anweisungen kann zu einem Stromschlag, Brand und/oder schweren Verletzungen führen.

Verwahren Sie alle Warnhinweise und Anweisungen für zukünftigen Gebrauch. Der Begriff „Elektrowerkzeug“ in den Warnhinweisen bezieht sich auf Ihr netzbetriebenes (schnurgebundenes) Elektrowerkzeug oder akkubetriebenes (schnurloses) Elektrowerkzeug.

Sicherheit im Arbeitsbereich

- Halten Sie den Arbeitsbereich sauber und gut beleuchtet.** Unaufgeräumte oder dunkle Bereiche laden zu Unfällen ein.
- Betreiben Sie Elektrowerkzeuge nicht in explosionsgefährdeten Bereichen, wie z. B. bei Vorhandensein von brennbaren Flüssigkeiten, Gasen oder Staub.**

Elektrowerkzeuge erzeugen Funken, die Staub oder Dämpfe entzünden können.

- Halten Sie Kinder und Zuschauer fern, während Sie ein Elektrowerkzeug bedienen.** Ablenkungen können dazu führen, dass Sie die Kontrolle verlieren.

Elektrische Sicherheit

- Die Stecker von Elektrowerkzeugen müssen zur Steckdose passen. Verändern Sie niemals den Stecker in irgendeiner Weise. Verwenden Sie keine Adapterstecker mit geerdeten Elektrowerkzeugen.** Unveränderte Stecker und passende Steckdosen verringern das Risiko eines Stromschlags.
- Vermeiden Sie Körperkontakt mit geerdeten Oberflächen wie z. B. Rohren, Heizkörpern, Herden und Kühlschränken.** Es besteht ein erhöhtes Risiko eines Stromschlags, wenn Ihr Körper geerdet ist.
- Setzen Sie Elektrowerkzeuge nicht Regen oder Nässe aus.** Wenn Wasser in ein Elektrowerkzeug eindringt, erhöht sich die Gefahr eines Stromschlags.

4. **Missbrauchen Sie das Kabel nicht. Benutzen Sie das Kabel niemals zum Tragen, Ziehen oder Ausstecken des Elektrowerkzeugs. Halten Sie das Netzkabel von Hitze, Flüssigkeiten, scharfen Kanten und beweglichen Teilen fern.** Beschädigte oder verwickelte Kabel erhöhen das Risiko eines Stromschlags.
5. **Wenn Sie ein Elektrowerkzeug im Freien betreiben, verwenden Sie ein für den Außenbereich geeignetes Verlängerungskabel.** Die Verwendung eines für den Außenbereich geeigneten Kabels verringert die Gefahr eines Stromschlags.
6. **Falls der Betrieb eines Elektrowerkzeugs in einer feuchten Umgebung unvermeidlich ist, verwenden Sie eine durch einen Fehlerstromschutzschalter (FI) geschützte Stromversorgung.** Die Verwendung eines FI-Schutzschalters verringert die Gefahr eines Stromschlags.

Persönliche Sicherheit

1. **Seien Sie wachsam, achten Sie darauf, was Sie tun, und nutzen Sie Ihren gesunden Menschenverstand, wenn Sie ein Elektrowerkzeug bedienen. Verwenden Sie ein Elektrowerkzeug nicht, wenn Sie müde sind oder unter dem Einfluss von Drogen, Alkohol oder Medikamenten stehen.** Ein Moment der Unachtsamkeit bei der Bedienung von Elektrowerkzeugen kann zu schweren Verletzungen führen.
2. **Verwenden Sie eine persönliche Schutzausrüstung. Tragen Sie immer einen Augenschutz.** Schutzausrüstungen wie Staubmaske, rutschfeste Sicherheitsschuhe, Schutzhelm oder Gehörschutz, die unter geeigneten Bedingungen verwendet werden, verringern die Zahl der Personenschäden.
3. **Verhindern Sie unbeabsichtigtes Starten. Stellen Sie sicher, dass der Schalter in der Aus-Stellung ist, bevor Sie das Gerät an die Stromquelle und/oder den Akkupack anschließen, es in die Hand nehmen oder tragen.** Das Tragen von Elektrowerkzeugen mit dem Finger auf dem Schalter oder das Einschalten von Elektrowerkzeugen, bei denen der Schalter eingeschaltet ist, lädt zu Unfällen ein.
4. **Ziehen Sie vor dem Einschalten des Elektrowerkzeugs alle Einstellschlüssel oder Schraubenschlüssel ab.** Ein Schraubenschlüssel oder ein Schlüssel, der an einem rotierenden Teil des Elektrowerkzeugs verbleibt, kann zu Verletzungen führen.
5. **Greifen Sie nicht zu weit. Halten Sie**

- stets einen sicheren Stand und das Gleichgewicht.** Dies ermöglicht eine bessere Kontrolle des Elektrowerkzeugs in unerwarteten Situationen.
6. **Ziehen Sie sich entsprechend passend an. Tragen Sie keine weite Kleidung und keinen Schmuck. Halten Sie Ihr Haar und Ihre Kleidung von beweglichen Teilen fern.** Lockere Kleidung, Schmuck oder lange Haare können sich in beweglichen Teilen verfangen.
 7. **Wenn Vorrichtungen zum Anschluss von Staubabsaugungen und -auffangvorrichtungen vorhanden sind, stellen Sie sicher, dass diese angeschlossen sind und ordnungsgemäß verwendet werden.** Die Verwendung einer Staubabsaugung kann die staubbedingten Gefahren verringern.
 8. **Achten Sie darauf, dass die durch häufigen Gebrauch von Werkzeugen gewonnene Routine Sie nicht dazu verleitet, selbstgefällig zu werden und die Grundsätze der Werkzeugsicherheit zu ignorieren.** Eine unvorsichtige Handlung kann im Bruchteil einer Sekunde zu schweren Verletzungen führen.

Verwendung und Pflege von Elektrowerkzeugen

1. **Setzen Sie das Elektrowerkzeug nicht mit Gewalt ein. Verwenden Sie das richtige Elektrowerkzeug für Ihre Anwendung.** Das richtige Elektrowerkzeug erledigt die Arbeit besser und sicherer mit der Drehzahl, für die es ausgelegt ist.
2. **Verwenden Sie das Elektrowerkzeug nicht, wenn der Schalter es nicht ein- und ausschaltet.** Jedes Elektrowerkzeug, das sich nicht mit dem Schalter steuern lässt, ist gefährlich und muss repariert werden.
3. **Trennen Sie den Stecker von der Stromquelle und/oder entfernen Sie den Akkupack, falls abnehmbar, vom Elektrowerkzeug, bevor Sie Einstellungen vornehmen, Zubehörteile wechseln oder Elektrowerkzeuge lagern.** Solche vorbeugenden Sicherheitsmaßnahmen verringern das Risiko eines unbeabsichtigten Starts des Elektrowerkzeugs.
4. **Bewahren Sie ungenutzte Elektrowerkzeuge außerhalb der Reichweite von Kindern auf und erlauben Sie Personen, die mit dem Elektrowerkzeug oder dieser Anleitung nicht vertraut sind, nicht, das Elektrowerkzeug zu bedienen.** Elektrowerkzeuge sind in den Händen

ungeschulter Benutzer gefährlich.

- 5. Pflegen Sie Elektrowerkzeuge und Zubehör. Prüfen Sie, ob bewegliche Teile falsch ausgerichtet sind oder klemmen, ob Teile gebrochen sind und ob andere Bedingungen vorliegen, die den Betrieb des Elektrowerkzeugs beeinträchtigen können. Lassen Sie das Elektrowerkzeug bei Beschädigung vor der Verwendung reparieren.** Viele Unfälle werden durch schlecht gewartete Elektrowerkzeuge verursacht.
- 6. Halten Sie Schneidwerkzeuge scharf und sauber.** Ordnungsgemäß gewartete Schneidwerkzeuge mit scharfen Schneidkanten verklemmen sich seltener und sind leichter zu kontrollieren.
- 7. Verwenden Sie das Elektrowerkzeug, das Zubehör, die Bits usw. gemäß dieser Anleitung und unter Berücksichtigung der Arbeitsbedingungen und der auszuführenden Arbeiten.** Die Verwendung des Elektrowerkzeugs für andere als die vorgesehenen Arbeiten kann zu gefährlichen Situationen führen.
- 8. Halten Sie Griffe und Griffflächen trocken, sauber und frei von Öl und Fett.** Rutschige Griffe und Griffflächen ermöglichen keine sichere Handhabung und Kontrolle des Geräts in unerwarteten Situationen.

Service

- 1. Lassen Sie Ihr Elektrowerkzeug von einem qualifizierten Servicetechniker warten, der nur identische Ersatzteile verwendet.** Dadurch wird sichergestellt, dass die Sicherheit des Elektrowerkzeugs erhalten bleibt.

Sicherheitshinweise zum Hammer

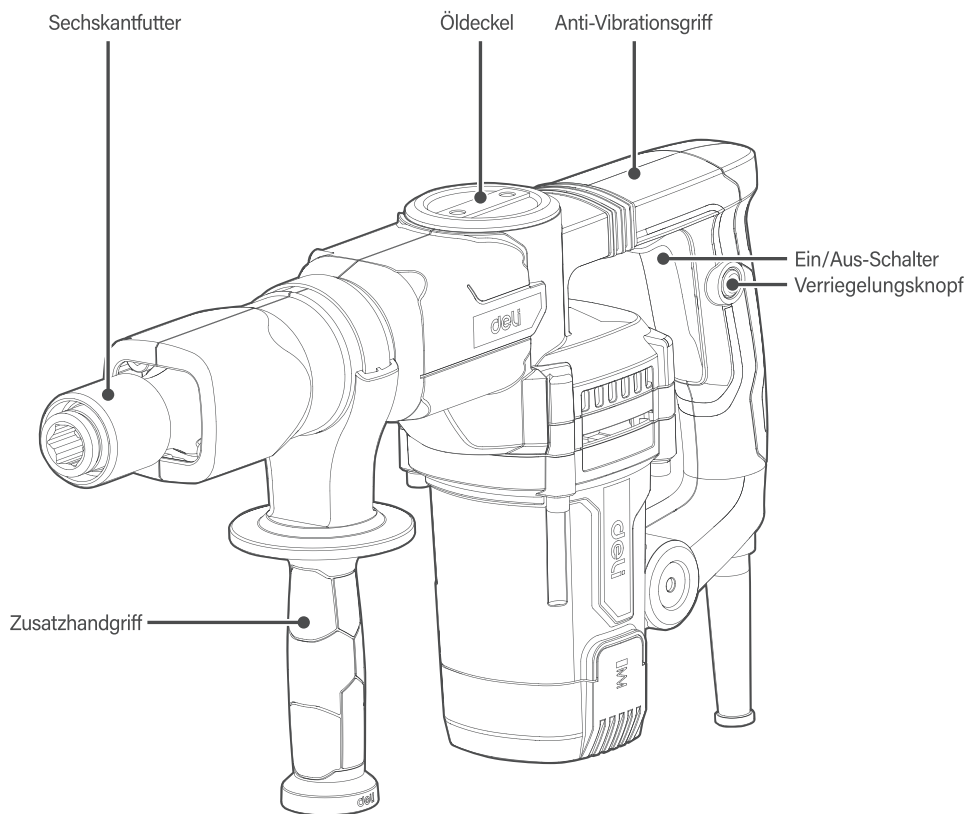
Sicherheitsanweisungen für sämtliche Arbeiten

- 1. Tragen Sie einen Gehörschutz.** Lärmbelastung kann zu Gehörschäden führen.
- 2. Benutzen Sie den/die Hilfsgriff(e), falls im Lieferumfang des Werkzeugs enthalten.** Der Verlust der Kontrolle kann zu Verletzungen führen.
- 3. Sichern Sie das Werkzeug vor dem Gebrauch ordnungsgemäß. Dieses Werkzeug erzeugt ein hohes Ausgangsdrehmoment.** Wird es während des Betriebs nicht ordnungsgemäß gesichert, kann es zu einem Kontrollverlust kommen, der zu Verletzungen führen kann.
- 4. Halten Sie das Elektrowerkzeug immer an den isolierten Griffflächen fest, wenn Sie eine Arbeit ausführen, bei dem das Schneidezubehör verborgene Leitungen oder das eigene Kabel berühren**

kann. Schneidezubehör, das mit einer „spannungsführenden“ Leitung in Berührung kommt, kann freiliegende Metallteile des Elektrowerkzeugs „unter Spannung bringen“ und dem Bediener einen Stromschlag versetzen.

Sicherheitsanweisungen für den Einsatz von Langbohrern mit Bohrhämmern

- 1. Starten Sie das Bohren immer mit niedriger Drehzahl und wenn die Bohrspitze in Kontakt mit dem Werkstück ist.** Bei höheren Drehzahlen kann sich die Spitze verbiegen, wenn sie sich frei drehen kann, ohne das Werkstück zu berühren, was zu Verletzungen führen kann.
- 2. Wenden Sie den Druck nur in direkter Linie zum Bohrer an und üben Sie keinen übermäßigen Druck aus.** Bohrspitzen können sich verbiegen, was zu Brüchen oder zum Verlust der Kontrolle und damit zu Verletzungen führen kann.



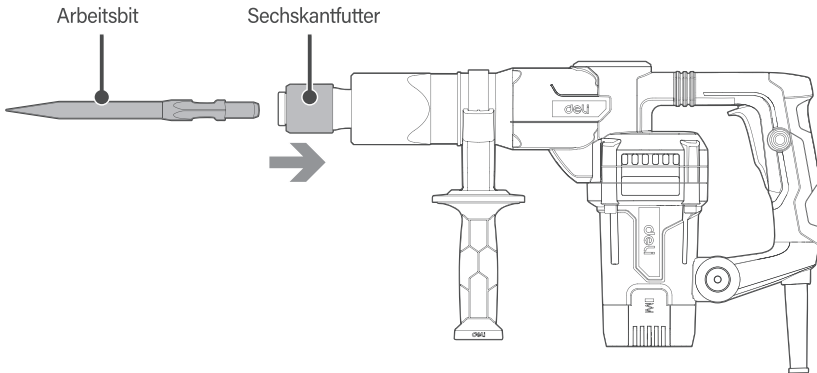
Hinweis: Lesen Sie die Bedienungsanleitung vor dem Betrieb durch.

1 Einsetzen oder Entfernen des Arbeitsbits

Achtung! Schalten Sie die Maschine aus und ziehen Sie den Netzstecker aus der Steckdose, bevor Sie den Bohrer ein- oder ausbauen.

Installieren Sie das Arbeitsbit: Ziehen Sie das Sechskantfutter vollständig nach unten und setzen Sie das Arbeitsbit dann bis zum Ende in den Arbeitsbithalter ein. Wenn das Sechskantfutter losgelassen wird, kehrt dieser Ring in die ursprüngliche Position zurück, um das Arbeitsbit zu sichern. Ziehen Sie nach der Installation am Arbeitsbit, um sicherzustellen, dass das Bit fest sitzt.

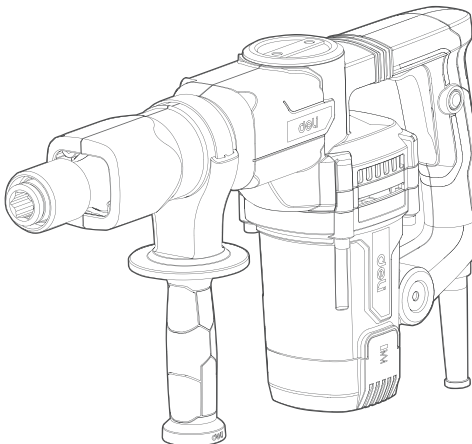
Zum Entfernen des Arbeitsbits ziehen Sie den Einstellring vollständig nach unten, um das Arbeitsbit herauszuziehen.



2 Zusatzhandgriff

Die Position des Zusatzhandgriffs kann je nach Bedarf eingestellt werden, um die Arbeitssicherheit und den Arbeitskomfort zu verbessern. Der Zusatzhandgriff kann in jede gewünschte Position gedreht werden. Drehen Sie den Knopf nach vorne, um ihn zu lösen. Drehen Sie den Zusatzhandgriff in die für Ihre Arbeit am besten geeignete Position und ziehen Sie den Knopf dann in umgekehrter Richtung fest.

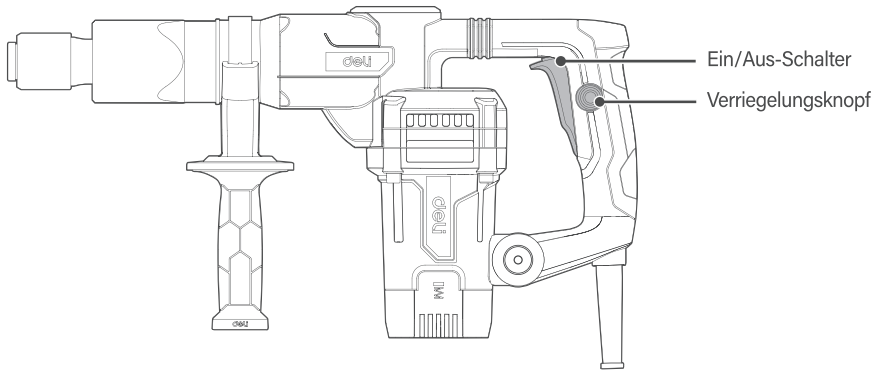
Achtung! Die Zusatzhandgriffe müssen während des Betriebs verwendet werden.



3 Mise en marche/arrêt

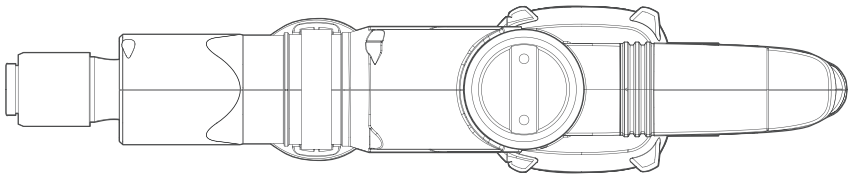
1. Bevor Sie den Netzstecker des Geräts einstecken, müssen Sie sich vergewissern, dass sich der Ein/Aus-Schalter leicht betätigen lässt und dass er nach dem Loslassen des Schalters in die „Aus“-Stellung zurückkehrt. Drücken Sie den Ein/Aus-Schalter, um das Gerät zu starten. Lassen Sie den Ein-/Aus-Schalter los, um das Gerät zu stoppen.
2. Drücken Sie während des Dauerbetriebs den Ein/Aus-Schalter und dann den Verriegelungsknopf. Um das Gerät in der verriegelten Position auszuschalten, drücken Sie den Ein/Aus-Schalter ganz durch und lassen ihn dann los.

Achtung: Wenn das Gerät sehr heiß ist, lassen Sie es 2~3 Minuten ohne Last laufen, um den Motor abzukühlen.



4 Meißeln, Schälen und Zerlegen

Achten Sie während des Betriebs darauf, dass Sie sowohl den Zusatzhandgriff als auch den Schaltergriff fest anfassen, das Werkzeug festhalten, dann das Werkzeug starten und sanft drücken, damit das Werkzeug nicht unkontrolliert herumspringt. Ein kräftiger Druck auf das Werkzeug führt nicht zu einer Verbesserung der Arbeitsleistung.



Wartung

Ziehen Sie vor dem Durchführen von Austauscharbeiten am Gerät unbedingt den Stecker heraus. Bei diesem Elektrowerkzeug muss Schmieröl nachgefüllt werden. Reinigen Sie das Gerät nach der Verwendung mit einem trockenen Lappen. Achtung: Verwenden Sie zum Reinigen des Geräts niemals Wasser oder chemische Reinigungsmittel, um das Gehäuse nicht zu beschädigen oder elektrische Lecks und andere Unfälle zu verursachen. Halten Sie den Lufteinlass des Motors immer sauber und frei, um zu verhindern, dass sich Ablagerungen am Lufteinlass ansammeln und die Kühlung des Motors beeinträchtigen. Versuchen Sie außerdem, das Gerät nicht in staubiger Umgebung zu verwenden. Gelegentlich können am Luftaustritt Funken entstehen, was normal ist und keine Schäden am Gerät verursacht. Wenn das Netzkabel beschädigt ist, muss es zur Vermeidung von Gefahren durch den Hersteller, ein autorisiertes Wartungszentrum oder eine qualifizierte Fachkraft ersetzt werden.

Lassen Sie das Gerät einige Minuten lang laufen, um es vorzuwärmen, schalten Sie das Gerät aus und ziehen Sie den Netzstecker. Öffnen Sie den Öldeckel mit dem mitgelieferten Schlüssel, stellen Sie das Gerät auf den Tisch und halten Sie das Arbeitsbit nach oben, um das alte Schmieröl im Öldeckel aufzufangen, entfernen Sie das alte Schmieröl und tragen Sie neues Schmieröl auf.

Hinweis: Ein Überfüllen des Schmieröls kann zu einem Ausfall der Hammermechanik oder einer Fehlfunktion des Geräts führen.

Bedienungsanleitung



Achtung: Ziehen Sie vor dem Durchführen von Austausch- oder Wartungsarbeiten am Gerät unbedingt den Stecker heraus.

Bei diesem Elektrowerkzeug muss Schmieröl nachgefüllt werden. Reinigen Sie das Gerät nach der Verwendung mit einem trockenen Lappen. Achtung: Verwenden Sie zum Reinigen des Geräts niemals Wasser oder chemische Reinigungsmittel, um das Gehäuse nicht zu beschädigen oder elektrische Lecks und andere Unfälle zu verursachen. Halten Sie den Lufteinlass des Motors immer sauber und frei, um zu verhindern, dass sich Ablagerungen am Lufteinlass ansammeln und die Kühlung des Motors beeinträchtigen. Versuchen Sie außerdem, das Gerät nicht in staubiger Umgebung zu verwenden. Prüfen Sie vor dem Gebrauch, ob die Schrauben und Muttern fest angezogen sind. Wenn das Netzkabel beschädigt ist, muss es zur Vermeidung von Gefahren durch den Hersteller, ein autorisiertes Wartungszentrum oder eine qualifizierte Fachkraft ersetzt werden.

Schutz der Umwelt



Entsorgung von Altgeräten

Im Sinne des Umweltschutzes müssen beschädigte Geräte, Zubehörteile und Verpackungsmaterialien für ein einfaches Recycling sorgfältig sortiert werden. Zur Erleichterung der Sortierung und des Recyclings sind alle Kunststoffteile mit den Materialangaben gekennzeichnet.

Produktgarantiekarte

Produktgarantiekarte:

Wir bedanken uns, dass Sie sich für unsere Produkte entschieden haben. Im Interesse ihrer Zufriedenheit können sich die Käufer im Falle von Qualitätsproblemen mit der Rechnung und der Garantiekarte an den lokalen Vertriebshändler oder an die angegebene Reparaturstelle wenden.

Garantie Hinweis:

1. Wenn von _____ (Jahr/Monat/Tag) bis _____ (Jahr/Monat/Tag), das Produkt bei bestimmungsgemäßem Gebrauch ausfällt, bietet unser Unternehmen eine kostenlose Garantie, Ersatzteilversorgung und andere Dienstleistungen je nach Problemfall.
2. Diese Garantiekarte und der Kaufbeleg dienen als Nachweise für den von unserem Unternehmen angebotenen Kundendienst. Die Karte darf nur nach Ausfüllen des folgenden Formulars und Anbringen des offiziellen Händlerstempels ausgefüllt werden.
3. Bei folgenden Fällen gilt der kostenlose Garantieservice nicht, und es werden Wartungsgebühren fällig:
 - (1) Überschreitung des Verfallsdatums.
 - (2) Fehler oder Schäden, die durch Nichtbeachtung der Anweisungen im Produkthandbuch, unsachgemäße Wartung oder Lagerung verursacht wurden.
 - (3) Fehler oder Schäden, die durch das Zerlegen, Reparieren oder Modifizieren des Produkts ohne Genehmigung von unserem Unternehmen verursacht wurden.
 - (4) Geräteausfall oder Schäden, die durch höhere Gewalt verursacht wurden.
 - (5) Für verbrauchbares Zubehör.

Diese Karte wird zusammen mit dem Produkt ausgegeben. Eine Karte pro Gerät. Bewahren Sie diese Karte sorgfältig auf, um den Anspruch auf den kostenlosen Garantieservice des Unternehmens zu gewährleisten; bei Verlust wird sie nicht ersetzt.

Kaufdatum: _____ (Jahr/Monat/Tag)

Produktzertifikat

Prüfer:

01

Herstellungsdatum:

NINGBO DELI TOOLS CO., LTD.

N° 128 Chezhan West Road, Huangtan Town,

Ninghai County, Ningbo, Zhejiang, China

delitoolsglobal@nbdeli.com

www.delitoolsglobal.com

+86 574 87562689

HERGESTELLT IN CHINA

Reserviert für späteren Gebrauch

Version: 1.0

Datum: Juni. , 2022



Spécifications







Modèle	DE-DG5-2E	DE-DG5-2G
Tension nominale	220-240V~ 50/60Hz	
Puissance d'entrée nominale	1200 W	
Fréquence d'impact	3900 bpm	
Force d'impact	20 J	
Indice de sécurité	□/II	
Système de fonctionnement	30 s/90 s	
Poids de la machine	6 kg	

Accessoires standard :

- Clé
- Graisse

• Il est recommandé de sélectionner les accessoires dans le magasin où vous avez acheté l'outil électrique. Veuillez sélectionner les accessoires appropriés requis pour votre travail. Veuillez vous référer à l'emballage de l'accessoire pour obtenir plus de détails sur les méthodes et d'aide à l'utilisation.

Symboles

 Lire les instructions	 Symbole d'avertissement	 Double isolation
 Veuillez porter des cache-oreilles protecteurs	 Veuillez porter des lunettes de protection	 Veuillez porter un masque

Instructions originales

Avertissements généraux concernant les outils électriques

AVERTISSEMENT Lire l'ensemble des avertissements, instructions, illustrations et spécifications fourni avec cet outil électrique. Le fait de ne pas suivre toutes les instructions figurant dans la liste ci-dessous peut entraîner un risque de choc électrique, d'incendie et/ou de blessures graves.

Conservez tous les avertissements et instructions à titre d'information.

Le terme « outil électrique » dans les avertissements fait référence à votre outil électrique (avec fil) fonctionnant sur secteur ou à votre outil électrique (sans fil) fonctionnant sur batterie.

Sécurité du lieu de travail

1. **Maintenez le lieu de travail propre et bien éclairé.** Les emplacements encombrés ou sombres favorisent les accidents.
2. **N'utilisez pas d'outils électriques dans un environnement explosif, par exemple en présence de liquides, de gaz ou de poussières inflammables.** Les outils électriques dégagent des étincelles qui peuvent enflammer les vapeurs.

3. **Éloignez les enfants et les personnes alentour lorsque vous utilisez un outil électrique.** Toutes distractions peuvent vous faire perdre le contrôle.

Sécurité électrique

1. **Les prises de l'outil électrique doivent correspondre à la prise murale. N'altérez jamais la prise de quelque manière que ce soit. N'utilisez pas de prises d'adaptateur avec des appareils mis à la terre.** Les prises non altérées et les prises murales correspondantes réduiront les risques de chocs électriques.
2. **Évitez que le corps puissent toucher les surfaces mises à la terre, telles que tuyaux, radiateurs, cuisinières et réfrigérateurs.** Le risque d'électrocution est plus important si votre corps est mis à la terre.
3. **N'exposez pas les outils électriques à la pluie ni à l'humidité.** La pénétration d'eau dans un outil électrique augmente les risques d'électrocution.
4. **N'abusez pas de l'utilisation du fil. N'utilisez jamais le fil pour transporter, tirer ou débrancher l'outil électrique. Conservez le fil à l'écart de la chaleur,**

de l'huile, des bords coupants ou pièces mobiles. Un fil endommagé ou emmêlé augmente les risques d'électrocution.

5. **Pour utiliser un outil électrique en extérieur, utilisez une rallonge adaptée à l'usage à l'extérieur.** L'utilisation d'un fil adapté à l'usage extérieur réduit les risques d'électrocution.
6. **Si l'utilisation d'un outil électrique dans un endroit humide est inévitable, utilisez une alimentation protégée par un disjoncteur.** L'utilisation d'un disjoncteur permet de réduire les risques d'électrocution.

Sécurité personnelle

1. **Restez attentif, surveillez votre travail et faites preuve de bon sens lorsque vous utilisez un outil électrique. N'utilisez pas un outil électrique si vous êtes fatigué ou sous l'influence de drogues, d'alcool ou de médicaments.** Un moment d'inattention lors de l'utilisation d'outils électriques peut entraîner des blessures graves.
2. **Portez un équipement de protection individuelle. Portez toujours une protection auditive (oreillettes).** Des équipements de protection tels qu'un masque anti-poussière, des chaussures de sécurité antidérapantes, un casque ou des protections auditives, utilisés dans de bonnes conditions, permettront de réduire les risques de blessures.
3. **Prévenez les démarrages non intentionnels. Assurez-vous que l'interrupteur est éteint (off) avant de brancher l'appareil à la prise d'alimentation et / ou à la batterie, ou de saisir ou de transporter l'outil.**
Le fait de transporter des outils électriques en ayant le doigt sur l'interrupteur ou de lancer des outils électriques lorsque l'interrupteur est allumé, peut être source d'accidents.
4. **Retirez toute clé de réglage ou autre clé avant de mettre l'outil électrique en marche.** Une clé laissée sur une pièce rotative de l'outil électrique peut entraîner des blessures.
5. **Ne vous penchez pas excessivement. Conservez à tout moment un bon appui et bon équilibre.** Vous pouvez ainsi mieux contrôler l'outil électrique en cas de situations imprévues.
6. **Habilitez-vous judicieusement. Ne portez pas de vêtements amples ni de bijoux. Tenez les cheveux et les vêtements à l'écart des pièces en mouvement.** Les vêtements amples, les bijoux ou les cheveux longs peuvent se coincer dans les pièces en mouvement.
7. **Sides appareils permettent de se raccorder à des équipements de**

collecte et d'extraction de la poussière ; assurez-vous qu'ils soient raccordés et correctement utilisés. L'utilisation d'un système de collecte de la poussière peut réduire les risques liés à la poussière.

8. **Même si vous avez pris l'habitude d'utiliser des outils, vous ne devez pas être moins vigilant et ignorer les principes de sécurité des outils.** Un geste imprudent peut provoquer une blessure grave en une fraction de seconde.

Utilisation et entretien de l'outil électrique

1. **Ne forcez pas sur l'outil électrique. Utilisez l'outil électrique convenant à l'usage.** Le bon outil électrique fonctionnera mieux et plus sûrement s'il est utilisé à la vitesse pour laquelle il a été conçu.
2. **N'utilisez pas l'outil électrique si l'interrupteur ne l'allume ou ne l'éteint pas.** Tout outil électrique ne pouvant être contrôlé avec l'interrupteur est un outil dangereux, et doit être réparé.
3. **Débranchez la prise et/ou retirez le compartiment à piles, s'il est détachable, de l'outil électrique avant tout réglage, changement d'accessoires ou avant de ranger des outils électriques.** Ce type de mesures de protection permet de réduire les risques d'allumage accidentel de l'outil électrique.
4. **Rangez les outils électriques au repos hors de portée des enfants, et ne laissez personne ne connaissant pas l'outil électrique ou ces instructions utiliser l'outil électrique.** Les outils électriques sont dangereux entre les mains de personnes qui n'y sont pas formées.
5. **Entretenez les et accessoires des outils électriques. Vérifiez l'alignement ou l'adhésion des pièces en mouvement, toute casse de pièces et toute autre condition susceptible d'affecter le bon fonctionnement de l'outil électrique. S'il est endommagé, faites réparer l'outil électrique avant de l'utiliser.** De nombreux accidents sont causés par des outils électriques mal entretenus.
6. **Faites en sorte que les outils de coupe restent affûtés et propres.** Des outils de coupe bien entretenus aux bords affûtés adhèrent moins et sont plus faciles à contrôler.
7. **Utilisez l'outil électrique, les accessoires, embouts et forets, conformément à ces instructions, en tenant compte des conditions de travail et du travail à entreprendre.** L'utilisation de l'outil électrique dans un but différent de celui prévu peut entraîner des situations dangereuses.

- 8. Faites en sorte que les surfaces de préhension et poignées restent sèches, propres et exemptes d'huile et de graisse.** Les poignées et les surfaces de préhension glissantes ne permettent pas de manipuler et de contrôler l'outil en toute sécurité dans des situations inattendues.

Révision

- 1. Faites réviser votre outil électrique par un technicien qualifié utilisant seulement des pièces de rechange identiques.** Cela permettra de préserver la sécurité de l'outil électrique.

Avertissements de sécurité concernant votre marteau perforateur

Consignes de sécurité pour l'ensemble des opérations

- 1. Portez une protection auditive.**
L'exposition aux bruits peut entraîner une perte d'audition.
- 2. Utilisez une ou des poignées auxiliaires si elles sont livrées avec l'outil.** Une perte de contrôle peut entraîner des blessures.
- 3. Préparez correctement l'outil avant l'utilisation.** Cet outil génère un couple de sortie élevé et, sans préparation adéquate de l'outil pendant son fonctionnement, une perte de contrôle peut survenir et entraîner des blessures.
- 4. Tenez l'outil électrique par les surfaces de préhension isolées lorsque vous l'utilisez car l'accessoire de coupe peut entrer en contact avec un câblage dissimulé ou son propre cordon.** Le contact de l'accessoire de coupe avec un fil sous tension peut électrifier les parties métalliques exposées de l'outil électrique et l'opérateur risque de s'électrocuter.

Consignes de sécurité lors de l'utilisation de forets longs avec les marteaux perforateurs rotatifs

- Commencez toujours à percer à basse vitesse avec le bout du foret en contact avec la pièce. À des vitesses plus élevées, le foret risque de se déformer s'il tourne librement sans toucher la pièce, entraînant alors des blessures.
- Appuyez uniquement en vous alignant sur le foret et n'exercez pas de pression excessive. Les forets peuvent se déformer et provoquer une rupture ou une perte de contrôle, entraînant alors des blessures.

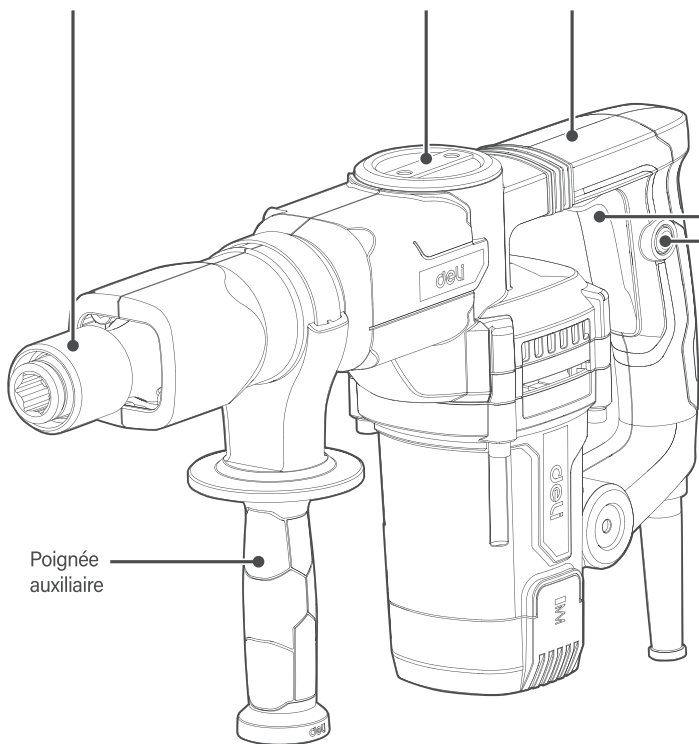
Mandrin hexagonal

Carter d'huile

Poignée antivibration

Interrupteur Marche/Arrêt
Bouton de verrouillage

Poignée
auxiliaire



Consignes de fonctionnement

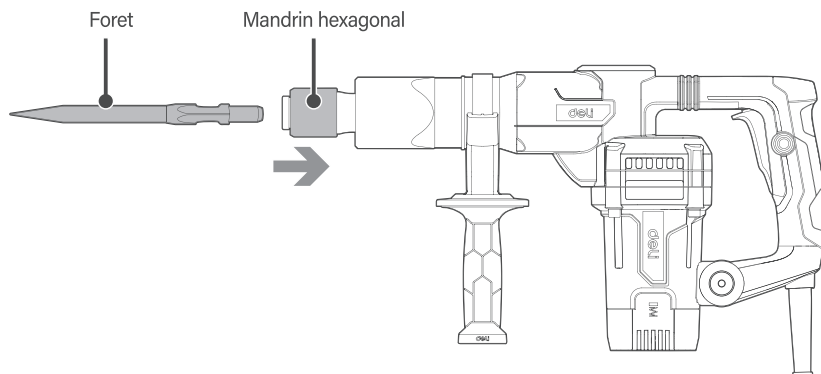
Remarque : Lisez le mode d'emploi avant utilisation.

1 Installer ou retirer le foret

Avertissement ! N'oubliez pas d'éteindre l'outil et de débrancher le cordon d'alimentation de la prise avant d'installer ou de retirer le foret.

Installez le foret : tirez le mandrin hexagonal complètement vers le bas puis insérez le foret à fond dans le porte-foret. Si le mandrin hexagonal est ensuite relâché, la bague reviendra à la position d'origine pour bloquer le foret. Après l'installation, n'oubliez pas de tirer le foret pour vous assurer qu'il est bien maintenu en place.

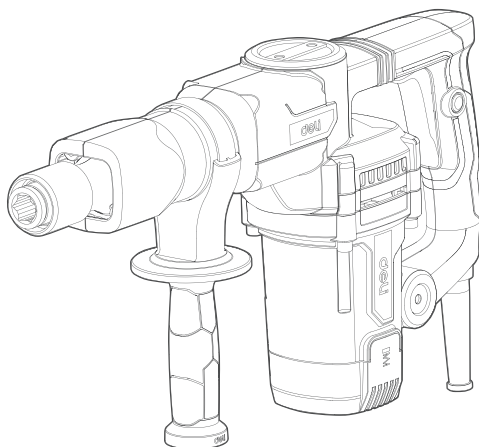
Pour retirer le foret, tirez le mandrin complètement vers le bas pour extraire le foret.



2 Poignée auxiliaire

La position de la poignée auxiliaire peut être réglée au besoin pour améliorer la sécurité et le confort lors des travaux. La poignée auxiliaire peut être réglée à la position de votre choix. Tournez le bouton vers l'avant pour la libérer. Réglez la poignée auxiliaire à la position la plus adaptée à votre tâche, puis serrez le bouton dans le sens inverse.

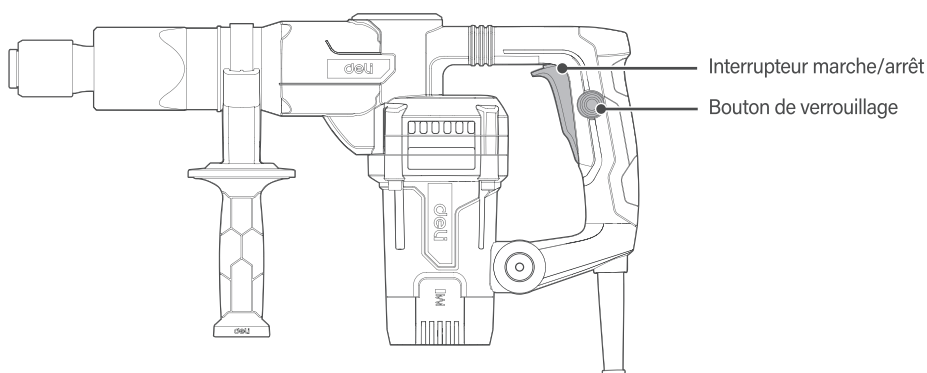
Avertissement ! Les poignées auxiliaires doivent être utilisées lors des travaux.



3 Mise en marche/arrêt

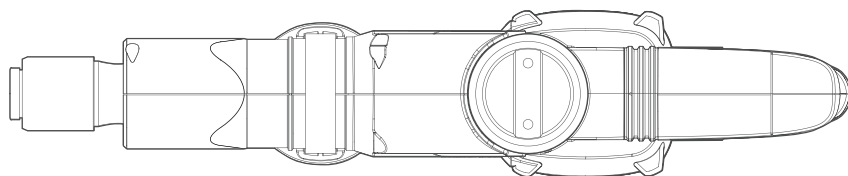
1. Avant de brancher la fiche d'alimentation de l'outil, vous devez vous assurer que l'interrupteur marche/arrêt peut facilement être actionné et revenir à la position « arrêt » après l'avoir relâché. Appuyez sur l'interrupteur marche/arrêt pour mettre l'outil en marche. Relâchez l'interrupteur marche/arrêt pour arrêter l'outil.
2. Pour le fonctionnement continu, appuyez sur l'interrupteur marche/arrêt, puis sur le bouton de verrouillage. Pour arrêter l'outil depuis la position verrouillée, appuyez à fond sur l'interrupteur marche/arrêt puis relâchez-le.

Avertissement : Si la machine est fortement chaude, veuillez la laisser fonctionner pendant 20 minutes à vide pour refroidir le moteur.



4 Burinage, arrachage et démontage

Pendant l'utilisation, assurez-vous de bien saisir les deux poignées auxiliaires et la gâchette, tenez fermement l'outil, puis mettez-le en marche et poussez-le doucement, afin qu'il ne risque pas de rebondir et d'être incontrôlable. Toute pression trop forte exercée sur l'outil n'améliorera pas l'efficacité du travail.



Entretien

Avant d'effectuer des opérations de remplacement sur l'outil, assurez-vous d'abord de débrancher la fiche. Cet outil électrique nécessite d'ajouter de l'huile de lubrification. Nettoyez la machine avec un chiffon sec après utilisation. Attention : N'utilisez jamais de l'eau ou un produit de nettoyage chimique pour nettoyer l'outil, afin de ne pas diminuer les performances de l'enceinte de l'outil ou entraîner un risque de fuite et d'autres accidents. L'entrée d'air du moteur doit toujours être propre et dégagée pour éviter que des débris ne s'accumulent à l'entrée d'air et n'affectent le refroidissement du moteur. En outre, essayez de ne pas l'utiliser dans un environnement poussiéreux. Des étincelles peuvent se produire au niveau de la sortie d'air, ce qui est normal et n'endommagera pas l'outil. Si le cordon d'alimentation est endommagé, afin d'éviter tout risque, il doit être remplacé par le fabricant, un centre de maintenance autorisé ou un professionnel compétent.

Laissez l'outil tourner quelques minutes pour le préchauffer, éteignez-le et débranchez la fiche d'alimentation. Ouvrez le carter d'huile à l'aide de la clé fournie avec l'outil puis positionnez l'outil sur une table et dirigez le foret vers le haut pour recueillir l'huile de lubrification usagée dans le couvercle du carter d'huile, récupérez l'huile de lubrification usagée et incorporez l'huile de lubrification neuve.

Remarque : Une quantité d'huile de lubrification excessive peut compromettre le bon fonctionnement du marteau perforateur ou l'endommager.

Consignes de fonctionnement



Avertissement : Avant d'effectuer toute opération de remplacement ou d'entretien sur l'outil, assurez-vous d'abord de débrancher la fiche.

Cet outil électrique nécessite d'ajouter de l'huile de lubrification. Nettoyez l'outil avec un chiffon sec après utilisation. Attention : N'utilisez jamais de l'eau ou un produit de nettoyage chimique pour nettoyer l'outil, afin de ne pas diminuer les performances de l'enceinte de l'outil ou entraîner un risque de fuite et d'autres accidents. L'entrée d'air du moteur doit toujours être propre et dégagée pour éviter que des débris ne s'accumulent à l'entrée d'air et n'affectent le refroidissement du moteur. En outre, essayez de ne pas l'utiliser dans un environnement poussiéreux. Vérifiez que les vis et les écrous sont bien serrés avant l'utilisation. Si le cordon d'alimentation est endommagé, afin d'éviter tout risque, il doit être remplacé par le fabricant, un centre de maintenance autorisé ou un professionnel compétent.

Protection de l'environnement



Élimination des déchets

Pour contribuer à la protection de l'environnement, les outils et les accessoires endommagés ainsi que les matériaux d'emballage doivent être triés avec soin pour faciliter leur recyclage. Afin de faciliter le tri et le recyclage, toutes les pièces en plastique sont marquées.

Carte de garantie du produit

Chers utilisateurs:

Merci d'avoir acheté nos produits. Afin de garantir leur achat, les utilisateurs de nos produits peuvent contacter un distributeur local ou des centres de réparation spécifiés, munis de la facture et de la carte de garantie en cas de défaillance du produit due à de problèmes de qualité.

Notice de garantie:

1. Valide du _____ (jour, mois, année) au _____ (jour, mois, année) Si la panne survient dans le cadre d'une utilisation normale, notre société fournira une garantie gratuite, un remplacement de pièces et d'autres services en fonction de la panne.
2. Cette carte de garantie et la facture d'achat servent de bon de réparation pour le service après-vente fourni par notre société aux clients. La carte ne doit être renseignée qu'en remplissant le formulaire suivant et en apposant le sceau officiel du distributeur.
3. Dans l'un des cas suivants, le service de garantie gratuit sera annulé et des frais d'intervention seront demandés:
 - (1) Dépassement de la date d'expiration.
 - (2) Défaillance ou dommage causé par le non-respect des exigences du manuel du produit, un entretien ou un stockage inapproprié.
 - (3) Défaillance ou dommage causé par le démontage, la réparation ou la modification du produit sans l'autorisation de notre société.
 - (4) Panne de la machine ou dommage causé par un cas de force majeure.
 - (5) Accessoires consommables.

Cette carte est livrée avec le produit. Une carte pour une machine, pour vous assurer que vous pouvez profiter pleinement du droit au service de garantie gratuit fourni par l'entreprise. Veuillez conserver cette carte correctement. En cas de perte, elle ne sera pas remplacée.

Date d'achat : _____ (jour, mois, année)

Certificat de produit

Inspecteur:

01

Date de fabrication:

NINGBO DELI TOOLS CO., LTD.

N° 128 Chezhan West Road, Huangtan Town,

Ninghai County, Ningbo, Zhejiang, Chine

delitoolsglobal@nbdeli.com

www.delitoolsglobal.com

+86 574 87562689

FABRIQUÉ EN CHINE

Réservé pour une utilisation future

Version: 1.0

Date : Juin, 2022









Especificaciones

Modelo	DE-DG5-2E	DE-DG5-2G
Tensión nominal	220-240V~ 50/60Hz	
Potencia de entrada nominal	1200 W	
Frecuencia de impacto	3900 bpm	
Energía de impacto	20 J	
Clase de seguridad	□/II	
Sistema de trabajo	30 s/90 s	
Peso de la máquina	6 Kg	

Accesorios estándar:

- Llave
- Grasa
- Se recomienda seleccionar los accesorios de la tienda en la que se compró la herramienta eléctrica. Seleccione los accesorios correctos para su trabajo. Consulte el paquete de accesorios para obtener más uso y ayuda.

Símbolos

 Lea las instrucciones	 Símbolo de advertencia	 Doble aislamiento
 Lleve orejeras protectoras	 Lleve gafas protectoras	 Lleve máscaras protectoras

Instrucciones originales

ADVERTENCIAS GENERALES DE SEGURIDAD PARA HERRAMIENTAS ELÉCTRICAS

ADVERTENCIA Lea con atención todas las advertencias de seguridad, instrucciones, ilustraciones y especificaciones proporcionadas con esta herramienta eléctrica.

No seguir las instrucciones indicadas a continuación puede tener como resultado una descarga eléctrica, un incendio y/o lesiones graves. **Guarde todas las advertencias e instrucciones para referencia futura.**

El uso del término «herramienta eléctrica» en las advertencias de seguridad se refiere a herramientas eléctricas conectadas a la red (con cable) o a batería (sin cable).

Seguridad del área de trabajo

1. **Mantenga el área de trabajo limpia y bien iluminada.** Las áreas abarrotadas y oscuras propician accidentes.
2. **No utilice la herramienta eléctrica en un entorno con peligro de explosión, en el que se encuentren combustibles líquidos, gases o material en polvo.**

Las herramientas eléctricas generan chispas que pueden encender el polvo y los vapores inflamables.

3. **Mantenga a los niños y transeúntes alejado del área cuando utilice la herramienta eléctrica.** Las distracciones pueden hacerle perder el control de la máquina.

Seguridad eléctrica

1. **El enchufe de la herramienta eléctrica debe ser compatible con la toma de corriente. No modifique nunca la clavija de enchufe de ninguna forma. No utilice ningún enchufe adaptador con herramientas eléctricas conectadas a masa (conectadas a tierra).** Los enchufes no modificados y que se adaptan a las tomas de corriente reducirán el riesgo de descarga eléctrica.
2. **Evite el contacto del cuerpo con superficies conectadas a masa o tierra, por ejemplo, tuberías, radiadores, estufas y refrigeradores.** Si su cuerpo está puesto a masa o tierra existe un mayor riesgo de que se produzca una descarga eléctrica.
3. **No exponga la herramienta eléctrica a condiciones húmedas o a lluvia.** El riesgo de recibir descargas eléctricas aumenta si

penetra agua en la herramienta eléctrica.

4. **No haga mal uso del cable. Nunca use el cable para transportar, tirar o desenfundar la herramienta eléctrica. Mantenga el cable alejado del calor, de aceite y de piezas móviles o con bordes afilados.** Los cables dañados o enredados pueden aumentar el riesgo de descarga eléctrica.
5. **Cuando utilice la herramienta eléctrica en el exterior, use un cable alargador adecuado para uso en exterior.** El uso de un cable adecuado para uso en exterior reduce el riesgo de descarga eléctrica.
6. **Si no es posible evitar usar una herramienta eléctrica en condiciones húmedas, utilice una fuente de alimentación protegida por un interruptor diferencial (ID).** El uso de un ID reduce el riesgo de descarga eléctrica.

Seguridad personal

1. **Al utilizar una herramienta eléctrica, esté atento, concéntrese en lo que hace y use el sentido común. No utilice la herramienta eléctrica si está cansado o bajo los efectos del alcohol, las drogas o los medicamentos.** Un momento de distracción mientras se utiliza la herramienta eléctrica puede tener como resultado lesiones personales graves.
2. **Use el equipo de protección individual. Lleve siempre protección ocular.** El uso de un equipo de protección adecuado como una mascarilla antipolvo, zapatos de seguridad con suela antideslizante, casco o protectores auditivos para las condiciones que lo requieran reducirá las lesiones personales.
3. **Evite un arranque involuntario. Asegurarse de que el interruptor está en posición de apagado antes de conectar la herramienta a la toma de corriente y/o al insertar el paquete de batería, al recogerla, y al transportarla.** Transportar la herramienta eléctrica con el dedo apoyado sobre el interruptor o enchufar la herramienta eléctrica con el interruptor en la posición de encendido puede propiciar accidentes.
4. **Retire cualquier llave de ajuste o herramienta antes de encender la herramienta eléctrica.** Una herramienta o llave colocada en una pieza giratoria de la herramienta eléctrica puede provocar lesiones personales.
5. **No se estire demasiado. Apoye bien los pies y mantenga el equilibrio en todo momento.** Esto mejorará el control de la herramienta eléctrica en situaciones imprevistas.
6. **Lleve la ropa adecuada. No lleve ropa holgada ni joyas. Mantenga el pelo y la**

ropa alejada de las piezas móviles. La ropa holgada, las joyas, o el pelo largo pueden engancharse en las partes en movimiento.

7. **Si los dispositivos están provistos de conexión para aspiración de polvo y dispositivos de recolección, asegúrese de que están conectadas y se utilizan correctamente.** El uso de un colector de polvo puede reducir los peligros relacionados con el polvo.
8. **No deje que la familiaridad obtenida por el uso frecuente de la herramienta se vuelva algo habitual o haga que ignore los principios de seguridad de la herramienta.** Una acción descuidada puede provocar lesiones graves en una fracción de segundos.

Uso y cuidado de la herramienta eléctrica

1. **No fuerce la herramienta eléctrica. Utilice la herramienta eléctrica prevista para el trabajo a realizar.** El trabajo se hace mejor y más seguro usando la herramienta eléctrica correcta con la velocidad para la que ha sido diseñada.
2. **No utilice la herramienta eléctrica si el interruptor no puede encenderla o apagarla.** Una herramienta que no pueda controlarse con el interruptor es peligrosa y debe repararse.
3. **Desconecte el enchufe de la toma de corriente y/o retire el paquete de baterías, si es desmontable, de la herramienta eléctrica antes de realizar cualquier ajuste, cambiar los accesorios o almacenar la herramienta.** Tales medidas preventivas de seguridad reducen el riesgo de arrancar la herramienta eléctrica accidentalmente.
4. **Almacene las herramientas que no utiliza fuera del alcance de los niños y no permita que las personas no familiarizadas con la herramienta eléctrica o estas instrucciones utilicen la herramienta eléctrica.** Las herramientas son peligrosas en manos de personas inexpertas.
5. **Mantenga la herramienta eléctrica y los accesorios. Compruebe si las partes móviles están alineadas o fijas, si no hay piezas rotas o cualquier otro problema que pueda afectar el rendimiento de la herramienta eléctrica. Si hay daños, repare la herramienta eléctrica antes de utilizarla.** Se ocasionan muchos accidentes por el mal mantenimiento de las herramientas eléctricas.
6. **Mantenga las herramientas de corte afiladas y limpias.** Las herramientas de

corte con mantenimiento adecuado y con los bordes de corte afilados son menos propensas a trabarse y son más fáciles de controlar.

7. **Utilice la herramienta eléctrica, los accesorios y las brocas de herramienta, etc. de acuerdo con estas instrucciones, teniendo en cuenta las condiciones de trabajo y el trabajo que se vaya a realizar.** La utilización de la herramienta eléctrica para trabajos para los que no ha sido concebida puede dar lugar a situaciones de peligro.
8. **Mantenga las asas y las superficies de agarre secas, limpias y libres de aceite y grasa.** Las asas y superficies de agarre resbaladizas impiden manejar y controlar la herramienta eléctrica con seguridad en situaciones imprevistas.

Mantenimiento

1. **El mantenimiento debe realizarse por personal de reparación cualificado utilizando solo repuestos idénticos.** Esto garantizará que se mantenga la seguridad de la herramienta eléctrica.

Advertencias de seguridad para percutores

Instrucciones de seguridad para todas las operaciones

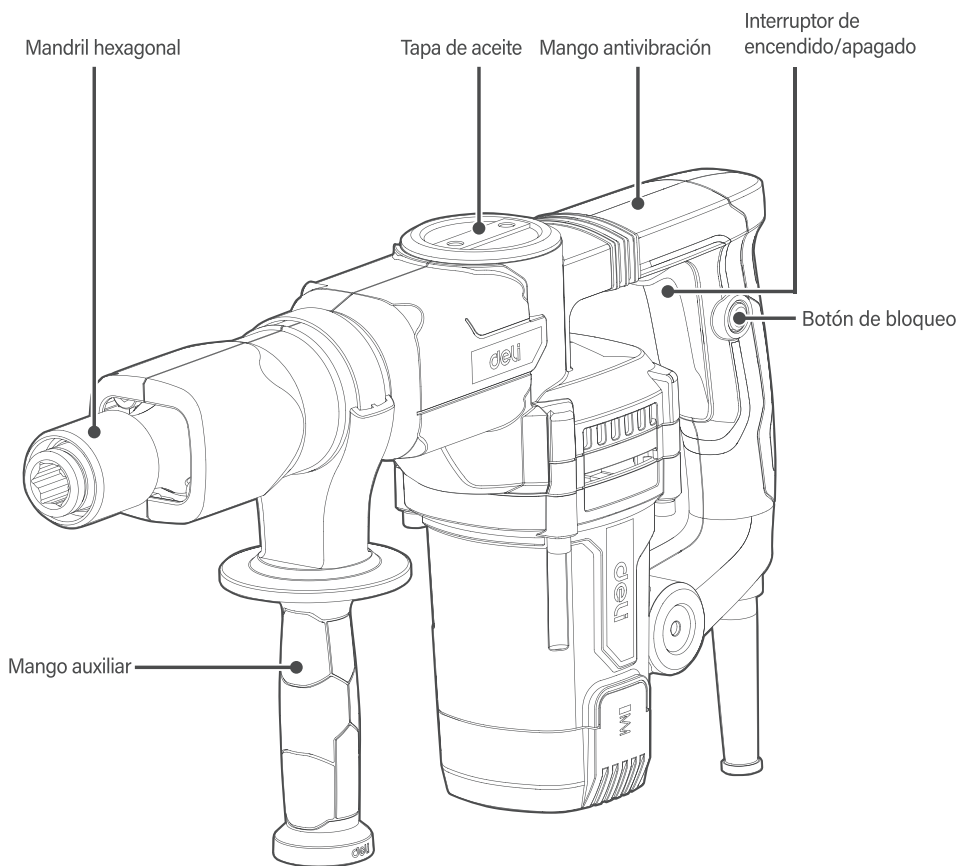
1. **Use protección auditiva.** La exposición al ruido puede causar pérdida de audición.
2. **Utilice el/los mango(s) auxiliar(es), si se suministra(n) con la herramienta.** La pérdida de control puede provocar lesiones personales.
3. **Agarre bien la herramienta antes de utilizarla.** Esta herramienta produce un alto par de salida y, sin agarrar adecuadamente la herramienta durante el funcionamiento, se puede perder el control y provocar lesiones personales.
4. **Sujete la herramienta eléctrica por las superficies de agarre con aislamiento cuando realice una operación en la que el accesorio de corte pueda entrar en contacto con el cableado oculto o con su propio cable.** Si los accesorios de corte entran en contacto con un cable «con corriente», las partes metálicas de la herramienta eléctrica pueden tener «corriente» y los operarios pueden sufrir una descarga eléctrica.

Instrucciones de seguridad para el uso de brocas largas con martillos perforadores

1. **Comience siempre a perforar a baja velocidad y con la punta de la broca en contacto con la pieza de trabajo.** A

velocidades más altas, es probable que la broca se doble si se deja girar libremente sin entrar en contacto con la pieza de trabajo, provocando lesiones personales.

2. **Ejerza presión solo en línea directa con la broca, sin ejercer una presión excesiva.** Las brocas pueden doblarse y provocar una rotura o la pérdida de control, lo que podría causar lesiones personales



Instrucciones de funcionamiento

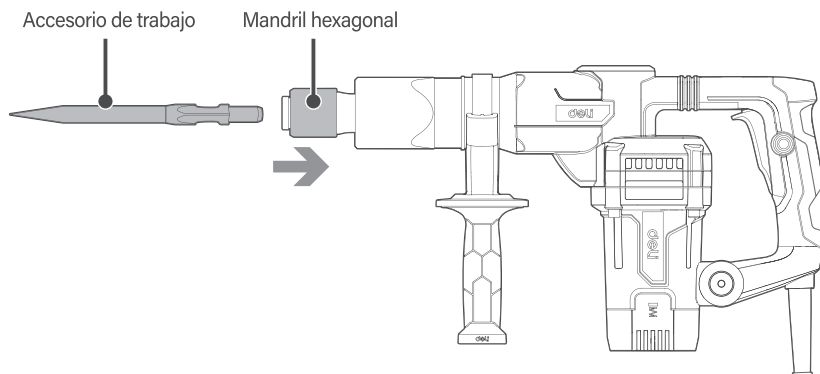
Nota: Lea el manual de instrucciones antes del uso.

1 Insertar o retirar el accesorio de trabajo

¡Advertencia! Asegúrese de que la máquina está apagada y el cable de alimentación desconectado de la toma de corriente antes de insertar o retirar el accesorio de trabajo.

Instalar el accesorio de trabajo: tire del mandril hexagonal hacia abajo y luego inserte el accesorio de trabajo en el portabrocas hasta el fondo. Ahora, si el mandril hexagonal se suelta, este anillo regresará a su posición inicial para bloquear el accesorio de trabajo. Después de la instalación, asegúrese de tirar del accesorio de trabajo para verificar que está bloqueado en su lugar.

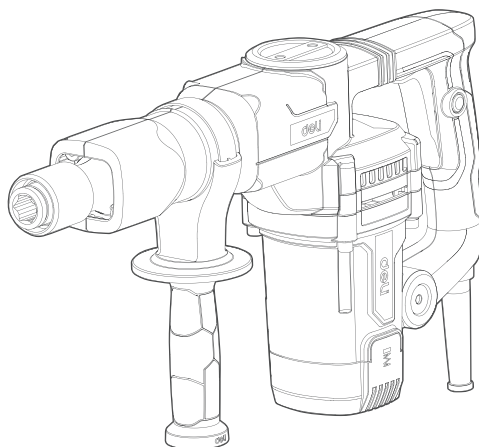
Para retirar el accesorio de trabajo, tire del anillo de ajuste completamente hacia abajo para retirar el accesorio de trabajo.



2 Mango auxiliar

La posición del mango auxiliar se puede ajustar según sea necesario para mejorar la seguridad y la comodidad durante el trabajo. El mango auxiliar se puede girar a la posición deseada. Gire el mando hacia adelante para aflojarlo. Gire el mango auxiliar hacia la posición más adecuada para su trabajo y luego apriete el mando en sentido inverso.

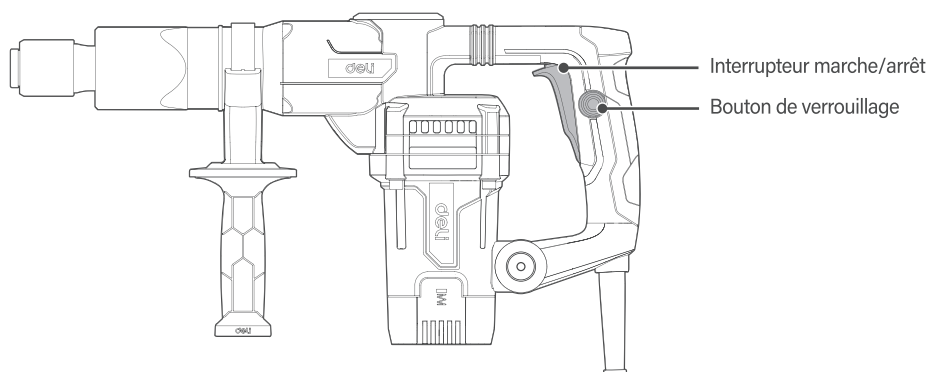
¡Advertencia! Los mangos auxiliares deben utilizarse durante el funcionamiento.



3 Encendido/Apagado

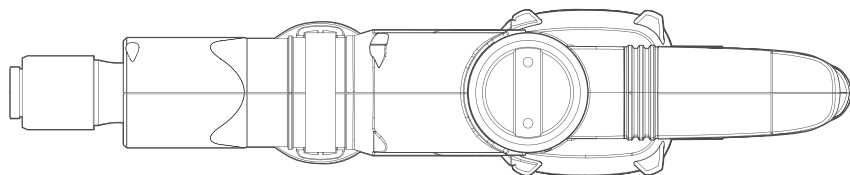
1. Antes de conectar el enchufe de la máquina, es necesario confirmar si el interruptor de encendido/apagado se puede activar fácilmente y si puede regresar a la posición de «apagado» después de soltarlo. Pulse el interruptor de encendido/apagado para arrancar la máquina. Suelte el interruptor de encendido/apagado para detener la máquina.
2. Durante el funcionamiento continuo, pulse el interruptor de encendido/apagado y luego pulse el botón de autobloqueo. Para apagar la máquina en posición de bloqueo, pulse del todo el interruptor de encendido/apagado y luego suéltelo.

Advertencia: Si la máquina está muy caliente, ponga la máquina en funcionamiento durante 2-3 minutos sin carga para enfriar el motor.



4 Cincelado, pelado y desmantelamiento

Durante el funcionamiento, asegúrese de agarrar bien el mango auxiliar y el mango con interruptor, sujete la herramienta firmemente, luego arranque la herramienta y presiónela suavemente para que no se salga fuera de control. Presionar la herramienta con fuerza no mejorará la eficiencia.



Mantenimiento

Antes de realizar cualquier reemplazo en la máquina, asegúrese de desconectar primero el enchufe. Es necesario llenar aceite lubricante en esta herramienta eléctrica. Limpie la máquina con un paño seco después de usarla. Atención: No use nunca agua o productos químicos de limpieza para limpiar la máquina para no afectar el rendimiento de la carcasa de la máquina y evitar fugas eléctricas y otros accidentes. Mantenga siempre la entrada de aire del motor limpia y sin obstáculos para evitar que se acumulen restos en la entrada de aire y alteren la refrigeración del motor. Además, no la utilice en un entorno polvoriento. De vez en cuando pueden aparecer chispas en la salida de aire, que es un fenómeno normal y no causará daño a la máquina. Si el cable de alimentación está dañado, debe ser sustituido por el fabricante, un centro de mantenimiento autorizado o personas cualificadas a fin de evitar un riesgo.

Haga funcionar la máquina por unos pocos minutos para calentarla, apague la máquina y desconecte el enchufe. Abra la tapa del aceite con la llave suministrada con la máquina, luego ponga la máquina en la mesa con el accesorio de trabajo mirando hacia arriba para recoger el aceite lubricante usado en la cubierta de la tapa del aceite, retire el aceite lubricante usado y aplique uno nuevo.

Nota: El exceso de aceite lubricante puede provocar un fallo de la mecánica del martillo o un mal funcionamiento de la máquina.

Instrucciones de funcionamiento



Advertencia: Antes de realizar cualquier reemplazo o trabajo de mantenimiento en la máquina, asegúrese de desconectar primero el enchufe.

Es necesario llenar aceite lubricante en esta herramienta eléctrica. Limpie la máquina con un paño seco después de usarla. Atención: No use nunca agua o productos químicos de limpieza para limpiar la máquina para no afectar el rendimiento de la carcasa de la máquina y evitar fugas eléctricas y otros accidentes. Mantenga siempre la entrada de aire del motor limpia y sin obstáculos para evitar que se acumulen restos en la entrada de aire y alteren la refrigeración del motor. Además, no la utilice en un entorno polvoriento. Compruebe si los tornillos y las tuercas están apretadas antes del uso. Si el cable de alimentación está dañado, debe ser sustituido por el fabricante, un centro de mantenimiento autorizado o personas cualificadas a fin de evitar un riesgo.

Protección medioambiental



Eliminación de basura

En respuesta a la protección medioambiental, las máquinas dañadas, los accesorios y los materiales de embalaje se deben clasificar cuidadosamente para un reciclaje fácil. A fin de facilitar la clasificación y el reciclaje, todas las piezas de plástico están marcadas con materiales.

Tarjeta de garantía del producto

Estimados usuarios:

Gracias por comprar nuestros productos. Con el fin de garantizar su beneficio, los usuarios que compran nuestros productos pueden ponerse en contacto con el distribuidor local o las estaciones de reparación especificadas con factura(s) y tarjeta(s) de garantía si el producto falla debido a problemas de calidad.

Aviso de garantía:

1. De _____ (Año/Mes/Día) a _____ (Año/Mes/Día), Si la falla ocurre durante el uso normal, nuestra compañía ofrecerá garantía gratuita, reemplazo de piezas y otros servicios de acuerdo con la situación de la falla.
2. Esta tarjeta de garantía y la factura de compra son el comprobante del servicio posventa proporcionado por nuestra empresa a los clientes. La tarjeta debe detallarse solo después de completar el siguiente formulario y colocar el sello oficial del distribuidor.
3. En los siguientes casos, el servicio de garantía gratuito no será válido y se exigirán tarifas de mantenimiento:
 - (1) Exceder la fecha de vencimiento.
 - (2) Fallo o daño causado por no seguir los requisitos del manual del producto o un mantenimiento o almacenamiento inadecuados.
 - (3) Fallo o daño causado por el desmontaje, la reparación o la modificación del producto sin el permiso de nuestra empresa.
 - (4) Avería de la máquina o daños causados por fuerza mayor.
 - (5) Accesorios consumibles.

Esta tarjeta se emite con el producto. Una tarjeta por máquina; para garantizar que pueda disfrutar plenamente del derecho al servicio de garantía gratuito proporcionado por la empresa, guarde esta tarjeta debidamente, la pérdida no será reemplazada.

Fecha de compra: _____ (Año/Mes/Día)

Certificado de producto

Inspector:

01

Fecha de fabricación:

NINGBO DELI TOOLS CO., LTD.

N° 128 Chezhan West Road, Huangtan Town,

Ninghai County, Ningbo, Zhejiang, China

delitoolsglobal@nbdeli.com

www.delitoolsglobal.com

+86 574 87562689

FABRICADO EN CHINA

Reservado para uso futuro

Versión: 1.0

Fecha: Junio, 2022









Especificações

Modelo	DE-DG5-2E	DE-DG5-2G
Tensão nominal	220-240V~ 50/60Hz	
Potência nominal de entrada	1200 W	
Frequência de impacto	3900bpm	
Energia de impacto	20 J	
Classe de segurança	□/II	
Regime de trabalho	30s/90s	
Peso da máquina	6Kg	

Acessórios padrão:

- Chave de fendas
- Massa lubrificante
- Recomenda-se que selecione os acessórios na loja onde adquiriu a sua ferramenta elétrica. Selecione os acessórios corretos para o seu trabalho. Consulte o pacote de acessórios para obter mais métodos e ajuda para a utilização.

Símbolos

 Leia as instruções	 Sinal de aviso	 Duplo isolamento
 Use abafadores auriculares de ruído	 Use óculos de proteção	 Use máscaras

Instruções originais

Avisos gerais de segurança de ferramentas elétricas

AVISO Leia todos os avisos de segurança, instruções, ilustrações e especificações fornecidas com esta ferramenta elétrica.

O não cumprimento de todas as instruções listadas abaixo pode resultar em choque elétrico, incêndio e/ou ferimentos graves.

Guarde todos os avisos e instruções para referência futura.

O termo "ferramenta elétrica" dos avisos refere-se à sua ferramenta elétrica acionada a partir da rede elétrica (com fio) ou à ferramenta elétrica acionada a bateria (sem fio).

Segurança da área de trabalho

1. **Mantenha a área de trabalho limpa e bem iluminada.** Áreas desorganizadas ou escuras convidam a acidentes.
2. **Não opere ferramentas elétricas em atmosferas explosivas, tais como na presença de líquidos inflamáveis, gases ou pó.** As ferramentas elétricas criam faíscas que podem incendiar o pó ou os fumos.
3. **Mantenha as crianças e todos os**

presentes afastados durante o funcionamento de uma ferramenta elétrica.

As distrações podem causar a perda de controlo.

Segurança elétrica

1. **As fichas das ferramentas elétricas devem corresponder à tomada. Nunca modifique a ficha de forma alguma. Não utilize fichas adaptadoras com ferramentas elétricas ligadas à terra.** Fichas sem alterações e as tomadas correspondentes reduzirão o risco de choque elétrico.
2. **Evite o contacto do corpo com superfícies de ligação à terra ou aterradas, tais como tubos, radiadores, grelhas e refrigeradores.** Existe um risco acrescido de choque elétrico se o seu corpo estiver ligado à terra.
3. **Não exponha ferramentas elétricas a condições de chuva ou humidade.** A entrada de água numa ferramenta elétrica irá aumentar o risco de choque elétrico.
4. **Não maltrate o cabo. Nunca utilize o cabo para transportar, puxar ou desligar a ferramenta elétrica. Mantenha o cabo longe do calor, óleo, arestas afiadas**

ou peças móveis. Os cabos danificados ou enredados aumentam o risco de choque elétrico.

5. **Ao operar uma ferramenta elétrica ao ar livre, utilize um cabo de extensão adequado para utilização ao ar livre.** A utilização de um cabo adequado para o exterior reduz o risco de choque elétrico.
6. **Se operar uma ferramenta elétrica num local húmido for inevitável, utilize um dispositivo de corrente residual (DCR) para alimentação protegida.** A utilização de um DCR reduz o risco de choque elétrico.

Segurança pessoal

1. **Fique atento, observe o que está a fazer e use o bom senso ao operar uma ferramenta elétrica. Não utilize uma ferramenta elétrica quando estiver cansado ou sob a influência de drogas, álcool ou medicamentos.** Um momento de desatenção durante a utilização de uma ferramenta elétrica pode resultar em sérios danos pessoais.
2. **Utilize equipamento de proteção pessoal. Use sempre equipamento de proteção para os olhos.** O equipamento de proteção, como uma máscara de proteção contra o pó, sapatos de segurança antiderrapantes, capacete ou proteção auditiva utilizados em condições apropriadas, reduzirá os ferimentos pessoais.
3. **Evite o arranque involuntário. Assegure-se de que o interruptor está na posição de desligado antes de ligar à fonte de alimentação e/ou bateria, e antes de pegar ou transportar a ferramenta.** Transportar ferramentas elétricas com o dedo no interruptor ou ligar a energia de ferramentas elétricas que tenham o interruptor ligado convida a acidentes.
4. **Remova qualquer chave inglesa ou chave de ajuste antes de ligar a ferramenta elétrica.** Uma chave inglesa ou uma chave de ajuste deixada presa a uma parte rotativa da ferramenta elétrica pode resultar em ferimentos pessoais.
5. **Não exagere o alcance. Mantenha sempre os pés assentes e o equilíbrio adequado.** Isto permite um melhor controlo da ferramenta elétrica em situações inesperadas.
6. **Vista-se adequadamente. Não use roupa solta ou joias. Mantenha o cabelo e a roupa longe de peças móveis.** Roupas soltas, joias ou cabelo comprido podem ser apanhados por peças em movimento.
7. **Se forem fornecidos dispositivos para a ligação de instalações de extração e recolha de pó, certifique-se de que**

estes estão ligados e são devidamente utilizados. A utilização de dispositivos de recolha de poeira pode reduzir os perigos relacionados com o pó.

8. **Não deixe que a familiaridade adquirida com o uso frequente de ferramentas lhe permita tornar-se complacente e ignorar os princípios de segurança das ferramentas.** Uma ação descuidada pode causar lesões graves numa fração de segundo.

Uso e cuidados a ter com ferramentas elétricas

1. **Não force a ferramenta elétrica. Utilize a ferramenta elétrica correta para a sua aplicação.** A ferramenta elétrica correta fará o trabalho melhor e de forma mais segura ao ritmo para o qual foi concebida.
2. **Não utilize a ferramenta elétrica se o interruptor não se ligar e desligar.** Qualquer ferramenta elétrica que não possa ser controlada com o interruptor é perigosa e deve ser reparada.
3. **Desligue a ficha da fonte de alimentação e/ou remova a bateria da ferramenta elétrica, se esta for destacável, antes de fazer quaisquer ajustes, trocar acessórios ou de armazenar as ferramentas elétricas.** Tais medidas preventivas de segurança reduzem o risco de arranque accidental da ferramenta elétrica.
4. **Armazene as ferramentas elétricas inativas fora do alcance das crianças e não permita que pessoas não familiarizadas com elas ou com estas instruções operem as ferramentas elétricas.** As ferramentas elétricas são perigosas nas mãos de utilizadores não treinados.
5. **Manutenção das ferramentas elétricas e acessórios. Verifique se há desalinhamento de peças móveis ou se estas estão coladas, se existem peças quebradas e qualquer outra condição que possa afetar o funcionamento da ferramenta elétrica. Em caso de danos, mande reparar a ferramenta elétrica antes de a utilizar.** Muitos acidentes são causados por ferramentas elétricas com manutenção deficiente.
6. **Mantenha as ferramentas de corte afiadas e limpas.** As ferramentas de corte com arestas cortantes afiadas com manutenção adequada têm menos probabilidades de se colarem e são mais fáceis de controlar.
7. **Utilize a ferramenta elétrica, acessórios e peças da ferramenta, etc., de acordo com estas instruções, tendo em conta as condições específicas e o trabalho a ser realizado.** A utilização da ferramenta

elétrica para operações diferentes daquelas para as quais foi concebida pode resultar numa situação perigosa.

8. **Mantenha as pegas e as superfícies para agarrar secas, limpas e isentas de óleo e gordura.** As pegas e as superfícies de agarrar escorregadias não permitem um manuseamento e controlo seguros da ferramenta em situações inesperadas.

Manutenção

1. **Faça a manutenção da sua ferramenta elétrica por um técnico de reparação qualificado, utilizando apenas peças de substituição idênticas.** Isto garantirá que a segurança da ferramenta elétrica é mantida.

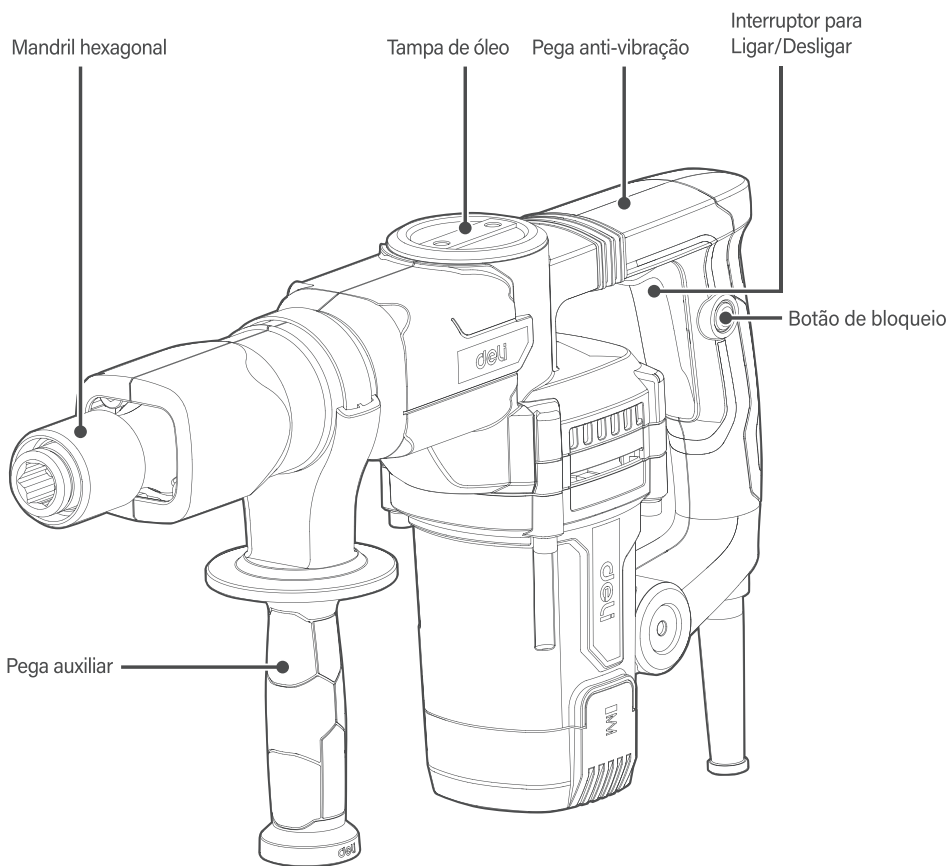
Avisos de segurança do martelo

Instruções de segurança para todas as operações

1. **Utilize protetores auditivos.** A exposição ao ruído pode provocar perda de audição.
2. **Utilize pega(s) auxiliar(s), caso sejam facultadas com a ferramenta.** A perda de controlo pode provocar ferimentos pessoais.
3. **Segure a ferramenta devidamente antes de utilizar.** Esta ferramenta produz um binário de saída elevado e se não segurar devidamente a ferramenta durante o funcionamento, pode perder o controlo, resultando em ferimentos pessoais.
4. **Segure a ferramenta elétrica apenas pelas superfícies de agarrar isoladas, ao executar uma operação em que o acessório de corte possa entrar em contacto com cabos ocultos ou com o seu próprio cabo.** O acessório de corte em contacto com um cabo elétrico "sob tensão" pode colocar "sob tensão" as partes metálicas expostas da ferramenta elétrica e pode causar um choque elétrico ao operador.

Instruções de segurança quando utiliza brocas de perfuração longas com martelos rotativos

1. **Comece sempre a perfurar a baixa velocidade, com a ponta da broca em contacto com a peça de trabalho.** A velocidades superiores, é provável que a broca dobre se puder rodar livremente sem contacto com a peça de trabalho, resultando em ferimentos pessoais.
2. **Aplique pressão apenas numa direção alinhada com a broca e não aplique pressão excessiva.** As brocas podem dobrar, provocando a sua quebra ou perda de controlo, resultando em ferimentos pessoais.



Instruções de Funcionamento

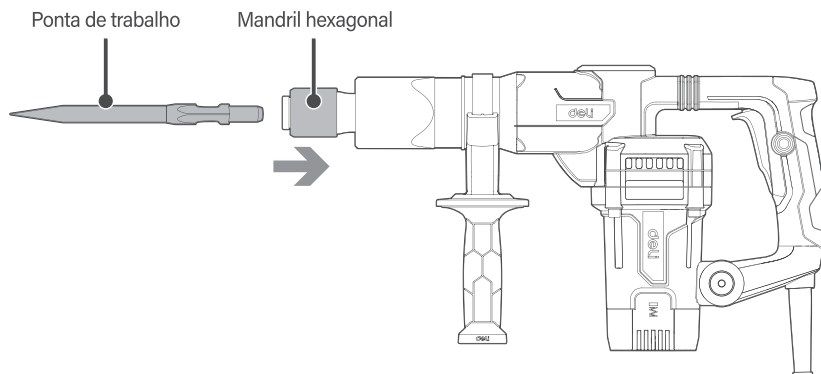
Nota: Leia o Manual de Instruções antes de operar a máquina.

1 Instalar ou remover a ponta de trabalho

Avertissement ! N'oubliez pas d'éteindre l'outil et de débrancher le cordon d'alimentation de la prise avant d'installer ou de retirer le foret.

Installez le foret : tirez le mandrin hexagonal complètement vers le bas puis insérez le foret à fond dans le porte-foret. Si le mandrin hexagonal est ensuite relâché, la bague reviendra à la position d'origine pour bloquer le foret. Après l'installation, n'oubliez pas de tirer le foret pour vous assurer qu'il est bien maintenu en place.

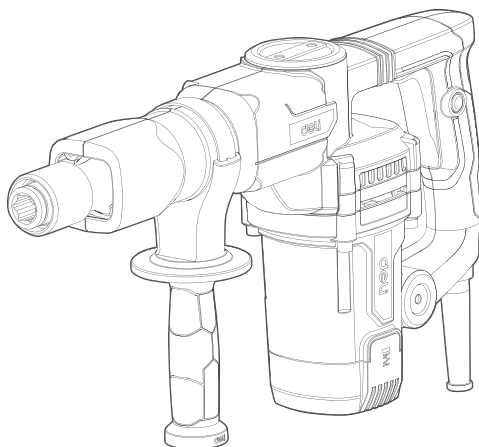
Para remover a ponta de trabalho, puxe por completo o anel de ajuste para puxar a ponta de trabalho para fora.



2 Pega auxiliar

A posição da pega auxiliar pode ser ajustada conforme necessário para melhorar a segurança do trabalho e o conforto durante o trabalho. A pega auxiliar pode ser girada para qualquer posição pretendida. Gire o botão para a frente, para a libertar. Gire a pega auxiliar para a posição mais adequada ao seu trabalho e aperte o botão na direção contrária.

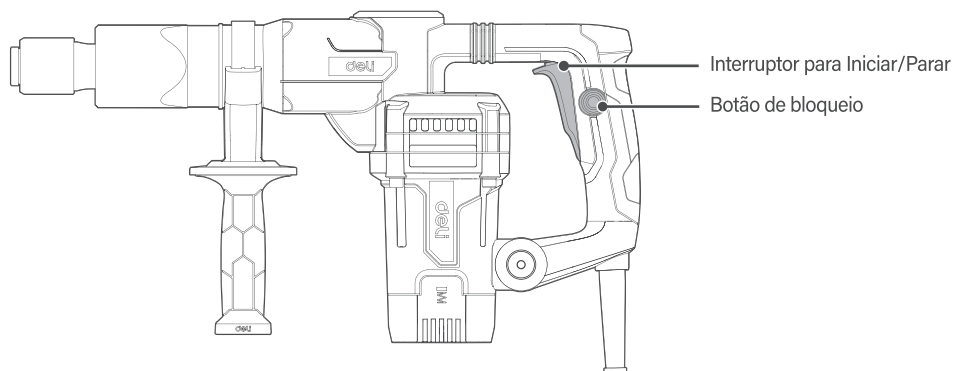
Aviso! As pegas auxiliares devem ser usadas durante a utilização.



3 Ligar/Desligar

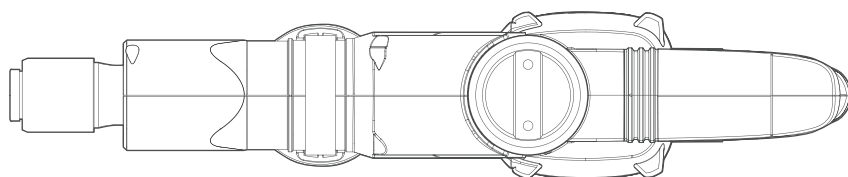
1. Antes de inserir a ficha elétrica da máquina, é necessário confirmar se o interruptor para Ligar/Desligar pode ser facilmente ativado e se pode voltar à posição "desligado" depois de o interruptor ser libertado. Prima o interruptor para Ligar/Desligar para ligar a máquina. Liberte o interruptor para Ligar/Desligar para parar a máquina.
2. Durante o funcionamento contínuo, prima o interruptor para Ligar/Desligar e prima o botão de auto-bloqueio. Para desligar a máquina a partir da posição bloqueado, prima o interruptor para Ligar/Desligar a fundo e depois liberte-o.

Aviso: Se a máquina estiver muito quente, deixe-a funcionar durante 2 a 3 minutos sem carga para arrefecer o motor.



4 Cinzelar, descascar e desmontar

Durante o funcionamento, certifique-se de que agarra com firmeza a pega auxiliar e a pega do interruptor. Segure bem a ferramenta e ligue a ferramenta aplique a ferramenta com cuidado, para que a ferramenta não salte fora de controlo. Aplicar a ferramenta com força não irá melhorar a eficácia.



Manutenção

Antes de efetuar qualquer trabalho de substituição na máquina, certifique-se primeiro de que desligou a ficha da corrente elétrica. Esta ferramenta elétrica requer um reabastecimento com óleo lubrificante. Limpe a máquina com um trapo seco após a utilização. Atenção: Nunca utilize água ou agentes químicos de limpeza para limpar a máquina, para não afetar o desempenho da estrutura da máquina ou causar fugas elétricas e outros acidentes. Mantenha sempre a entrada de ar do motor limpa e desobstruída para evitar a acumulação de detritos na entrada de ar e não afetar o arrefecimento do motor. Além disso, tente não utilizar num ambiente poeirento. Podem surgir faíscas ocasionais na saída de ar, o que é um fenómeno normal e não irá provocar danos à máquina. Se o cabo elétrico estiver danificado deve, para evitar qualquer perigo, ser substituído pelo fabricante, por um centro de manutenção autorizado ou por profissionais qualificados.

Coloque a máquina a funcionar durante alguns minutos para pré-aquecer, desligue a máquina e desligue a ficha elétrica. Abra a tampa de óleo com a chave de fendas entregue com a máquina, coloque a máquina na mesa e coloque a ponta de trabalho voltada para cima, para recolher o óleo lubrificante usado para a cobertura da tampa de óleo. Remova o óleo lubrificante usado e aplique novo óleo lubrificante.

Nota: Encher em demasia com óleo lubrificante pode provocar falhas na ação do martelo ou avaria da máquina.

Instruções de Funcionamento



Aviso: Antes de efetuar qualquer trabalho de substituição ou manutenção na máquina, certifique-se primeiro de que desligou a ficha da corrente elétrica.

Esta ferramenta elétrica requer reabastecimento com óleo lubrificante. Limpe a máquina com um trapo seco após a utilização. Atenção: Nunca utilize água ou agentes químicos de limpeza para limpar a máquina, para não afetar o desempenho da estrutura da máquina ou causar fugas elétricas e outros acidentes. Mantenha sempre a entrada de ar do motor limpa e desobstruída para evitar a acumulação de detritos na entrada de ar e não afetar o arrefecimento do motor. Além disso, tente não utilizar num ambiente poeirento. Verifique o aperto dos parafusos e porcas antes de utilizar a ferramenta. Se o cabo elétrico estiver danificado, para evitar qualquer perigo, deve ser substituído pelo fabricante, por um centro de manutenção autorizado ou por profissionais qualificados.

Proteção ambiental



Eliminação de resíduos

A fim de responder aos requisitos de proteção ambiental, deve fazer uma triagem cuidadosa das máquinas, acessórios e materiais de embalagem danificados para facilitar a sua reciclagem. A fim de facilitar a triagem e a reciclagem, todas as peças plásticas estão marcadas com símbolos que identificam os materiais.

Cartão de Garantia de Produto

Caros utilizadores:

Obrigado pela compra dos nossos produtos. A fim de garantir o benefício da sua compra, os utilizadores que compram os nossos produtos podem contactar o distribuidor local ou os pontos de reparação especificados com a fatura e os cartões de garantia se o produto falhar devido a problemas de qualidade.

Aviso de Garantia:

1. A partir de _____ (Ano/Mês/Dia) até _____ (Ano/Mês/Dia), Se a falha acontecer numa utilização normal, a nossa empresa fornecerá garantia gratuita, substituição de peças e outros serviços de acordo com a situação da falha.
2. Este cartão de garantia e a fatura de compra são o comprovativo do serviço pós-venda fornecido pela nossa empresa aos clientes. O cartão só deve ser detalhado depois de preencher o seguinte formulário e fazer apor o selo oficial junto do distribuidor.
3. Em qualquer dos seguintes casos, o serviço de garantia gratuito será inválido e será necessário o pagamento de taxas de manutenção:
 - (1) Ultrapassada a data de validade da garantia.
 - (2) Falha ou danos causados por não terem sido seguidos os requisitos do manual do produto e/ou manutenção ou armazenamento inadequados.
 - (3) Avarias ou danos causados pela desmontagem, reparação ou modificação do produto sem a permissão da nossa empresa.
 - (4) Avaria do aparelho ou danos causados por motivo de força maior.
 - (5) Acessórios consumíveis.

Este cartão é emitido com o produto. Um cartão para cada máquina, para garantir que pode usufruir plenamente do direito ao serviço de garantia gratuito prestado pela empresa. Por favor, mantenha este cartão devidamente guardado, pois um cartão perdido não será substituído.

Data de compra: _____ (Ano/Mês/Dia)

Certificado de producto

Inspector:

01

Fecha de fabricación:

NINGBO DELI TOOLS CO., LTD.

N° 128 Chezhan West Road, Huangtan Town,

Ninghai County, Ningbo, Zhejiang, Chine

delitoolsglobal@nbdeli.com

www.delitoolsglobal.com

+86 574 87562689

FABRICADO EN CHINA

Reservado para uso futuro

Versión: 1.0

Fecha: Junio, 2022









Технические характеристики

Модель	DE-DG5-2E	DE-DG5-2G
Номинальное напряжение	220–240 В пер. тока, 50/60 Гц	
Номинальная потребляемая мощность	1200 Вт	
Частота ударов	3900 уд./мин	
Энергия удара	20 Дж	
Класс безопасности	□/II	
Режим работы	30 с/90 с	
Вес инструмента	6 кг	

Стандартные принадлежности:

- Гаечный ключ
- Смазка
- Рекомендуется выбирать принадлежности в том же магазине, в котором вы приобрели электроинструмент. Выберите принадлежности, необходимые для вашей работы. См. сведения о наборе принадлежностей для дополнительного использования и справочную информацию.

Условные обозначения

 Внимательно прочтите инструкции!	 Предупреждающий знак	 Двойная изоляция
 Использовать звукозащитные наушники	 Использовать защитные очки	 Носить маску

Оригинальная инструкция

Общие предупреждения по технике безопасности при обращении с электроинструментом

ПРЕДУПРЕЖДЕНИЕ. Ознакомьтесь со всеми предупреждениями по технике безопасности, инструкциями, иллюстрациями и спецификациями, прилагаемые к этому электроинструменту.

Несоблюдение любых из перечисленных ниже инструкций может стать причиной поражения электрическим током, возгорания и/или тяжелых травм.

Сохраните все предупреждения и инструкции для обращения к ним в будущем.

Термин «электроинструмент» в предупреждениях относится к электроинструменту, работающему от сети (проводному), или к электроинструменту, работающему от аккумулятора (беспроводному).

Безопасность рабочей зоны

1. Следите за тем, чтобы рабочее место было чистым и хорошо освещенным.

Загроможденные и плохо освещенное рабочее место может стать причиной несчастных случаев.

2. **Не используйте электроинструменты во взрывоопасных средах, например в присутствии легковоспламеняющихся жидкостей, газов или пыли.** Электроинструменты создают искры, которые могут воспламенить пыль или пары.
3. **Во время работы с электроинструментом не позволяйте детям и посторонним лицам приближаться к рабочей зоне.** Отвлекающие факторы могут привести к потере контроля над электроинструментом.

Электрическая безопасность

1. **Вилки электроинструмента должны соответствовать розетке. Ни в коем случае не модифицируйте вилку. Запрещено использование переходников для подключения заземленных электроинструментов.** Использование немодифицированных вилок и соответствующих им розеток снижает риск поражения электрическим током.
2. **Не прикасайтесь к заземленным**

предметам, таким как трубы, отопительные батареи, кухонные плиты и холодильники. Это уменьшит риск поражения электрическим током.

- 3. Не допускайте попадания влаги на электроинструмент и не используйте его во влажной среде.** Попадание воды в электроинструмент повышает риск поражения электрическим током.
- 4. Будьте осторожны с сетевым шнуром.** Запрещается использовать сетевой шнур для переноски, перемещения или отключения электроинструмента от сети. Держите сетевой шнур вдали от источников тепла, масла, острых краев и движущихся частей. Поврежденный или запутанный сетевой шнур повышает риск поражения электрическим током.
- 5. При работе с электроинструментом на открытом воздухе используйте удлинитель, подходящий для использования вне помещений.** Использование удлинителя, предназначенного для наружных работ, снижает риск поражения электрическим током.
- 6. При необходимости выполнять работы во влажной среде используйте источник электропитания, оборудованный устройством защитного отключения (УЗО).** Использование УЗО снижает риск поражения электрическим током.

Личная безопасность

- 1. При работе с электроинструментом будьте внимательны, следите за своими действиями и руководствуйтесь здравым смыслом. Не работайте с электроинструментом, если вы утомлены, находитесь в состоянии алкогольного, наркотического опьянения или под воздействием лекарственных средств.** Малейшая невнимательность при работе с электроинструментом может привести к серьезной травме.
- 2. Используйте средства индивидуальной защиты. Всегда надевайте средства защиты глаз.** Средства индивидуальной защиты, такие как респиратор, защитная обувь с нескользящей подошвой, каска, средства защиты органов слуха, помогут вам избежать травм.
- 3. Не допускайте случайного запуска. Убедитесь, что выключатель находится в выключенном положении, перед тем как подключаться к источнику питания, брать или переносить электроинструмент.** Переноска электроинструмента с пальцем на выключателе или подключение к источнику питания во включенном состоянии может привести к несчастному случаю.

- 4. Перед включением электроинструмента снимите с него регулировочные и гаечные ключи.** Ключ, оставшийся на вращающейся части электроинструмента, может привести к травме.
- 5. Не тянитесь слишком далеко. Всегда сохраняйте надлежащую опору и равновесие.** Это позволяет лучше контролировать электроинструмент в непредвиденных ситуациях.
- 6. Одевайтесь правильно. Не носите свободную одежду и украшения. Держите волосы и одежду подальше от движущихся частей.** Свободная одежда, украшения или небрежные волосы могут попасть в движущиеся части.
- 7. Если предусмотрены устройства для подключения приспособлений для удаления и сбора пыли, следите за тем, чтобы такие приспособления подключались и использовались надлежащим образом.** Использование пылеулавливающей системы может снизить влияние опасных факторов.
- 8. Не допускайте того, чтобы в результате приобретенного опыта работы с электроинструментами вы потеряли бдительность и игнорировали технику безопасности.** Неосторожное действие может привести к серьезной травме в течение доли секунды.

Эксплуатация электроинструмента и уход за ним

- 1. Не перегружайте электроинструмент. Правильно подбирайте электроинструмент для работы.** Правильно подобранный электроинструмент лучше и безопаснее выполняет работу на предусмотренных оборотах.
- 2. Не используйте электроинструмент, если его невозможно включить и выключить выключателем.** Любой электроинструмент, которым нельзя управлять с помощью выключателя, опасен и подлежит ремонту.
- 3. Отсоедините вилку от источника питания и/или извлеките из электроинструмента аккумуляторную батарею, если она съемная, прежде чем выполнять настройку, менять насадки или помещать электроинструмент на хранение.** Такие превентивные меры безопасности снижают риск случайного включения электроинструмента.
- 4. Храните неиспользуемые электроинструменты в недоступном для детей месте и не позволяйте лицам, не знакомым с электроинструментом или данными инструкциями, работать с электроинструментом.** Электроинструменты

опасны в руках неподготовленных пользователей.

- Поддерживайте электроинструменты и насадки в надлежащем рабочем состоянии. Проверьте движущиеся детали на предмет несоосности или заедания, выявите сломанные детали и другие условия, которые могут повлиять на работу электроинструмента. В случае повреждения отремонтируйте электроинструмент перед использованием.** Многие несчастные случаи вызваны плохим обслуживанием электроинструмента.
- Держите режущие инструменты в заточенном и чистом состоянии.** Правильно обслуживаемые режущие инструменты с острыми режущими кромками с меньшей вероятностью заедают, и ими легче управлять.
- Используйте электроинструмент, принадлежности, насадки и т. д. в соответствии с настоящей инструкцией, принимая во внимание рабочие условия и выполняемую работу.** Использование электроинструмента для операций, отличных от предусмотренных, может привести к возникновению опасной ситуации.
- Держите ручки и поверхности для захвата сухими, чистыми и не допускайте попадания на них смазки.** Скользкие ручки и поверхности для захвата не позволяют безопасно обращаться с инструментом и контролировать его в непредвиденных ситуациях.

Обслуживание

- Доверяйте обслуживание электроинструмента квалифицированному специалисту и используйте только оригинальные запасные части.** Это обеспечит безопасность электроинструмента..

Предупреждения по технике безопасности при обращении с перфоратором

Инструкции по технике безопасности для всех видов работ

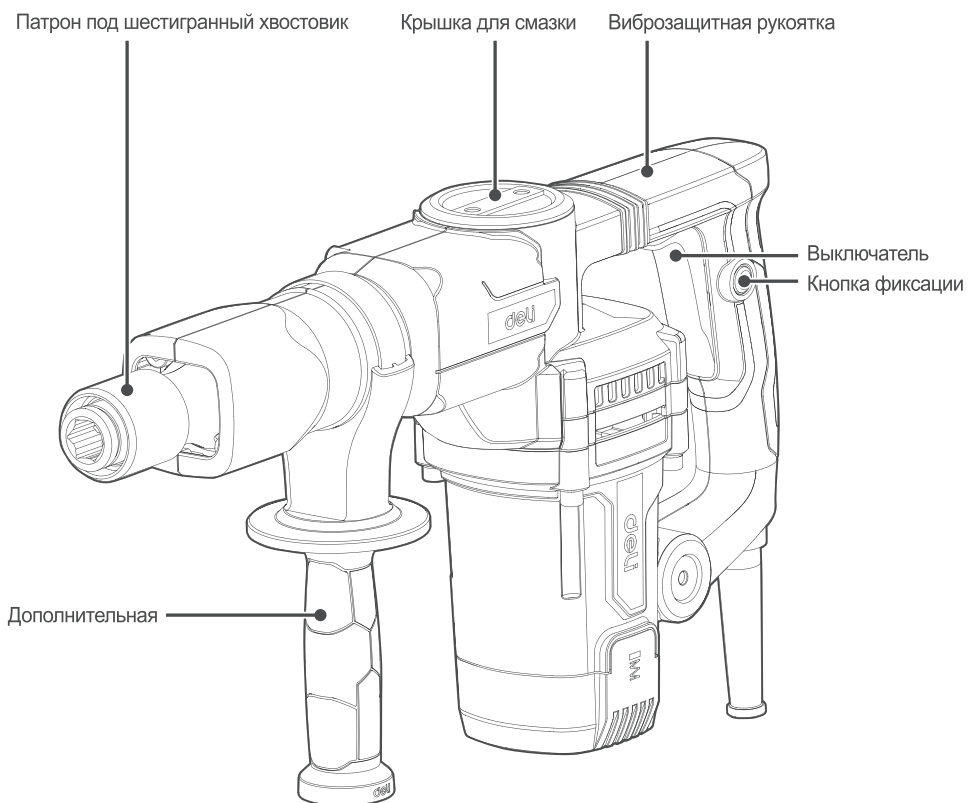
- Используйте средства защиты органов слуха.** Воздействие шума может привести к потере слуха.
- Используйте вспомогательную рукоятку,** если она входит в комплект поставки инструмента. Потеря контроля может привести к травме.
- Правильно закрепите инструмент перед началом использования.** Данный инструмент создает высокий крутящий момент. Если инструмент не закрепить

надлежащим образом, может произойти потеря контроля, что приведет к получению травм.

- В случаях, когда возможен контакт режущего инструмента со скрытой электрической проводкой или собственным шнуром питания, держите электроинструмент за изолированную поверхность захвата.** Контакт режущей части с проводами под напряжением может привести к тому, что открытые части электроинструмента окажутся под напряжением, что способно стать причиной поражения электрическим током.

Предупреждения об отскоке и соответствующие меры предосторожности

- Всегда начинайте сверление на малой скорости, когда наконечник сверла соприкасается с заготовкой.** На более высокой скорости свободно вращающееся без контакта с заготовкой сверло может погнуться, приводя к получению травм.
- Прилагайте усилие строго в направлении сверла и избегайте избыточного давления.** Сверла могут погнуться, что вызовет их разлом и потерю контроля, приводя к получению травм.



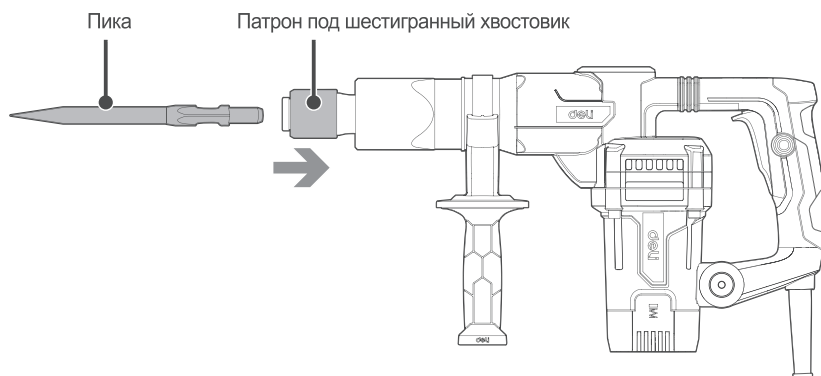
Примечание: Прочтите инструкцию по эксплуатации перед началом работы.

1 Установка или извлечение пики

Внимание! Перед установкой или извлечением пики обязательно выключите питание инструмента и отсоедините шнур питания от розетки.

Установите пику: полностью сдвиньте назад патрон под шестигранный хвостовик, а затем вставьте пику в держатель до упора. Теперь, если отпустить патрон под шестигранный хвостовик, его кольцо вернется в исходное положение, фиксируя пику. После установки обязательно потяните за пику, чтобы убедиться в том, что она зафиксирована.

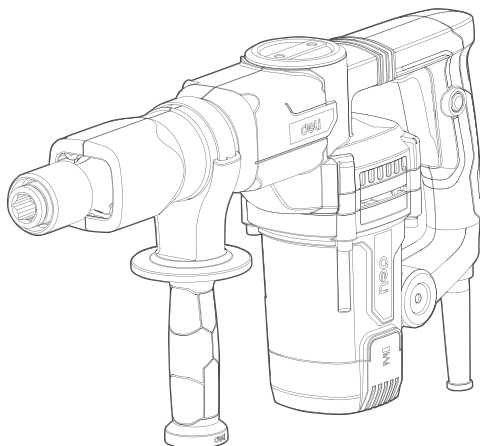
Потяните стопорное кольцо назад до упора, чтобы извлечь пику.



2 Дополнительная рукоятка

Для повышения безопасности и комфорта во время работы положение дополнительной рукоятки при необходимости можно регулировать. Дополнительную рукоятку можно повернуть в любое желаемое положение. Поверните стопорную ручку вперед, чтобы разблокировать ее. Поверните дополнительную рукоятку в положение, наиболее подходящее для вашей работы, а затем затяните стопорную ручку в обратном направлении.

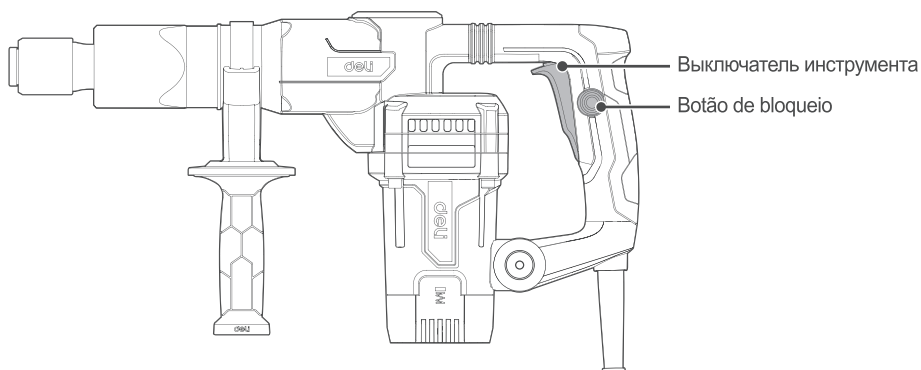
Внимание! Дополнительные рукоятки необходимо использовать во время работы.



3 Включение/выключение

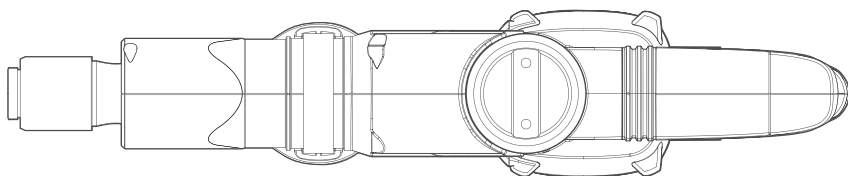
1. Перед тем как вставить вилку питания инструмента в розетку, необходимо убедиться, что выключатель инструмента можно легко активировать и он может легко вернуться в выключенное положение после его отпускания. Нажмите выключатель для запуска инструмента. Отпустите выключатель для остановки инструмента.
2. Во время непрерывной работы нажмите выключатель инструмента, а затем кнопку фиксации. Чтобы выключить инструмент в заблокированном состоянии, нажмите выключатель инструмента до упора, а затем отпустите его.

Внимание! Если инструмент очень горячий, дайте ему поработать 2–3 минуты без нагрузки, чтобы охладить двигатель.



4 Долбление, зачистка и разрушение

Во время работы надежно удерживайте как дополнительную рукоятку, так и рукоятку с выключателем. Крепко удерживая инструмент, включите его и слегка нажмите на него, чтобы он не вышел из-под контроля. Сильное нажатие на инструмент не повысит эффективность работы.



Техническое обслуживание

Перед выполнением любых работ по замене на инструменте сначала обязательно вытащите вилку из розетки. Этот электрический инструмент требует добавления смазки. После использования протрите инструмент сухой тряпкой. Осторожно: Никогда не используйте воду или химические чистящие средства для очистки инструмента, чтобы не воздействовать на его корпус, не вызвать утечку тока и другие несчастные случаи. Всегда держите воздухозаборник двигателя в чистоте и не перекрывайте его, чтобы предотвратить скопление мусора в воздухозаборнике и ухудшение охлаждения двигателя. Кроме того, старайтесь не использовать электроинструмент в пыльной среде. Время от времени в отверстия для выхода воздуха могут появляться искры, что является нормальным явлением и не приведет к повреждению инструмента. Если шнур питания поврежден, во избежание опасности он должен быть заменен изготовителем, авторизованным центром технического обслуживания или квалифицированным специалистом.

Запустите инструмент на несколько минут, чтобы прогреть его, а затем выключите и вытащите вилку из розетки. Откройте крышку для смазки с помощью прилагаемого к инструменту гаечного ключа, затем поместите инструмент на стол и поднимите пику вверх, чтобы собрать старую смазку в крышку для смазки. После этого удалите старую смазку и нанесите новую.

Примечание: Избыток смазки может привести к отказу или неисправности молотка.

Инструкция по эксплуатации



Внимание! Перед заменой или обслуживанием любых деталей электроинструмента сначала вытащите вилку из розетки.

Этот электрический инструмент требует добавления смазки. После использования протрите инструмент сухой тряпкой. Осторожно: Никогда не используйте воду или химические чистящие средства для очистки инструмента, чтобы не воздействовать на его корпус, не вызвать утечку тока и другие несчастные случаи. Всегда держите воздухозаборник двигателя в чистоте и не перекрывайте его, чтобы предотвратить скопление мусора в воздухозаборнике и ухудшение охлаждения двигателя. Кроме того, старайтесь не использовать электроинструмент в пыльной среде. Перед использованием инструмента проверьте затяжку винтов и гаек. Если шнур питания поврежден, во избежание опасности он должен быть заменен изготовителем, авторизованным центром технического обслуживания или квалифицированным специалистом.

Защита окружающей среды



Утилизация отходов

В целях защиты окружающей среды поврежденные инструменты, принадлежности и упаковочные материалы должны быть тщательно отсортированы для упрощения их переработки. Для облегчения сортировки и переработки, на всех пластмассовых деталях указывается используемый материал.

Гарантийный талон продукта

Уважаемые пользователи!

Благодарим вас за приобретение нашей продукции. Если приобретенное вами изделие вышло из строя из-за проблем с качеством, вы можете обратиться к местному дистрибьютору или в указанные пункты ремонта, приложив счет-фактуру и гарантийные талоны.

Гарантийное уведомление:

1. От _____ (год/месяц/день) до _____ (год/месяц/день), Если выход из строя произошел при обычном использовании, наша компания предоставит бесплатную гарантию, замену деталей и другие услуги в зависимости от характера поломки.
2. Настоящий гарантийный талон и счет-фактура являются ваучером послепродажного обслуживания, предоставляемого нашей компанией клиентам. Вносить данные в талон следует только после заполнения следующей формы и скрепления официальной печатью дистрибьютора.
3. При возникновении одного из следующих случаев бесплатное гарантийное обслуживание является недействительным и взимается плата за ремонт:
 - (1) Истек срок службы изделия.
 - (2) Неисправность или повреждение вызванные несоблюдением требований руководства по эксплуатации изделия, техническому обслуживанию или неправильными условиями хранения.
 - (3) Неисправность или повреждение вызванные разборкой, ремонтом или модификацией изделия без разрешения нашей компании.
 - (4) Поломка или повреждение изделия, вызванные форс-мажорными обстоятельствами.
 - (5) Расходные материалы и принадлежности.

Настоящий талон выдан вместе с изделием. Один талон на одно изделие. Чтобы в полной мере воспользоваться правом на бесплатное гарантийное обслуживание, предоставляемое компанией, необходимо сохранить талон в целостности, утерянный талон замене не подлежит.

Дата покупки: _____ (год/месяц/день)

Сертификат продукции

Контролирующий орган:

01

Дата производства:

NINGBO DELI TOOLS CO., LTD.

№ 128 Chezhan West Road, Huangtan Town,

Ninghai County, Ningbo, Zhejiang, Chine

delitoolsglobal@nbdeli.com

www.delitoolsglobal.com

+86 574 87562689

СДЕЛАНО В КИТАЕ

Сохранено для будущего использования

Версия: 1.0

Дата: июнь 2022 г.



بطاقة ضمان المنتج

المفتش:

01

تاريخ التصنيع:

NINGBO DELI TOOLS CO., LTD

No. 128 Chezhan West Road, Huangtan Town

Ninghai County, Ningbo, Zhejiang, China

delitoolsglobal@nbdeli.com

www.delitoolsglobal.com

86+ 574 87562689

صنع في الصين

ذه الاستمارة مُخصصة للاستخدام المستقبلي

إصدار: 1.0

التاريخ: يونيو 2022



بطاقة ضمان المنتج

أعزائي المستخدمين:

شكراً لاختياركم مُنتجنا. لضمان حصولكم على أقصى استفادة ممكنة، يمكن لعملائنا الاتصال بالوكيل المحلي أو بمحطات الصيانة المحددة عند حدوث أي عيوب في المنتج بسبب مشاكل في الجودة، وذلك باستخدام فاتورة الشراء و بطاقة الضمان.

إشعار الضمان:

1. من _____ (اليوم/ الشهر/ السنة) إلى _____ (اليوم/ الشهر/ السنة)، بالضمان رضاكم، ستقدم شركتنا ضماناً مجانياً واستبدال القطع وأعمال الصيانة الأخرى عند حدوث أي عطل أثناء الاستخدام العادي، وذلك بما يتناسب مع طبيعة العطل المحدد.
2. تعد بطاقة الضمان هذه وفاتورة الشراء إثباتاً لخدمة ما بعد البيع التي تقدمها شركتنا للعملاء. يمكن تقديم طلب الحصول على بطاقة الضمان من خلال ملء النموذج التالي ووضع الختم الرسمي من قبل الموزع.
3. لن يتم تقديم خدمات الصيانة مجاناً ويتوجب دفع رسومها كاملة في حالة وجود إحدى الحالات التالية:
 - (1) تجاوز تاريخ الانتهاء؛
 - (2) عطل أو تلف المنتج نتيجة عدم اتباع متطلبات دليل المنتج أو الصيانة أو التخزين الصحيح؛
 - (3) العطل أو التلف الناتج عن تفكيك أو إصلاح أو تعديل المنتج بدون إذن من شركتنا؛
 - (4) العطل أو التلف الناتج عن القوة القاهرة؛
 - (5) الملحقات الاستهلاكية.

يتم إصدار هذه البطاقة مع المنتج. يرجى الاحتفاظ بطاقة ضمان المنتج بشكل صحيح، حيث تضمن هذه البطاقة حق الاستفادة من الخدمة المجانية للضمان التي تقدمها الشركة، علماً بأنه لا يمكن استبدالها في حالة الفقد.

تاريخ الشراء: _____ (اليوم/ الشهر/ السنة)

هذا المنتج لا يمكن استخدام الكابلات المرنة التي هي أخف وزنا من غمد المطاط الكلووروبرين العادي أو غمد المطاط الصناعي مع الأداء المكافئ (245 إيك 57 من عب 5013.4)

يمكن لهذه الأداة الكهربائية الحفاظ على التشغيل العادي دون استخدام زيت التشحيم أو الصيانة الخاصة. لا توجد أيضا أجزاء تتطلب صيانة خاصة. ببساطة ما عليك سوى صيانة الماكينة وفقاً للمتطلبات التالية. نظف الماكينة بقطعة قماش جافة بعد الاستخدام. لا تستخدم الماء ابداً أو مادة التنظيف الكيميائية لتنظيف الماكينة، حتى لا يؤثر استخدام مثل هذه المواد على أداء حاوية الماكينة أو تتسبب في تسرب كهربائي أو حوادث أخرى. حافظ دائماً على نظافة مدخل هواء الموتور وعدم وجود عوائق لمنع تراكم الحطام عند مدخل الهواء والتأثير على تبريد الموتور. بالإضافة إلى ذلك، حاول عدم استخدام الماكينة في بيئة متربة.

يجب استبدال سلك الطاقة في حالة تلفه من قبل الشركة المصنعة أو مركز خدمة مُعتمد أو غيرهم من المهنيين المؤهلين وذلك تجنباً لوقوع أي خطر. ملاحظة: يتم توصيل القطبين من التبديل بالتوازي وتستخدم كمفتاح قطب واحد.

شغل الآلة لعدة دقائق لتهينتها، ثم أوقف تشغيلها وافصل سلك التيار الكهربائي. افتح غطاء الزيت بمفتاح الربط المزود مع الآلة ثم ضع الآلة على الطاولة وضع لكمة التشغيل بحيث يكون رأسها للأعلى لتجميع زيت التشحيم القديم في غلاف غطاء الزيت، ثم أزل زيت التشحيم القديم وضع آخر جديد. ملاحظة: قد يتسبب وضع كمية كبيرة من زيت التشحيم في إخفاق عمل المطرقة أو حدوث عطل بالماكينة

تعليمات التشغيل

⚠ تحذير: تأكد أولاً من سحب المقبس من مأخذ التيار الكهربائي قبل إجراء أي أعمال استبدال أو صيانة على الماكينة.

تحتاج هذه الأداة الكهربائية إلى إعادة ملئها بزيت التشحيم. نظف الماكينة بقطعة قماش جافة بعد الاستخدام. تنبيه: لا تستخدم الماء ابداً أو مادة التنظيف الكيميائية لتنظيف الماكينة، حتى لا يؤثر استخدام مثل هذه المواد على أداء حاوية الماكينة أو تتسبب في تسرب كهربائي أو حوادث أخرى. حافظ دائماً على نظافة مدخل هواء الموتور وعدم وجود عوائق لمنع تراكم الحطام عند مدخل الهواء والتأثير على تبريد الموتور. بالإضافة إلى ذلك، حاول عدم استخدام الماكينة في بيئة متربة. تأكد من إحكام ربط البراغي والصواميل قبل الاستخدام. يجب استبدال سلك الطاقة في حال تلفه من قبل الشركة المصنعة أو مركز خدمة مُعتمد أو مهنيين أكفاء لتجنب وقوع أي خطر.

تعليمات التشغيل



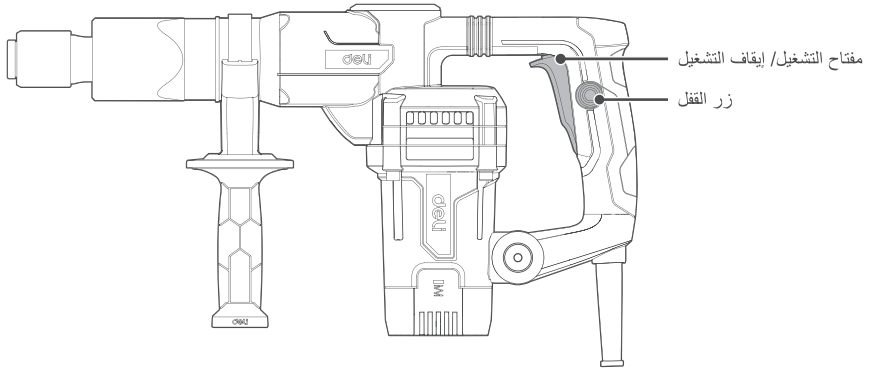
التخلص من النفايات

يجب تصنيف الآلات والتالفة والملحقات ومواد التغليف بعناية لتسهيل عملية إعادة تدويرها للحفاظ على البيئة. لتسهيل عملية الفرز وإعادة التدوير، يتم وضع علامات على جميع الأجزاء البلاستيكية للإشارة إلى نوع المواد المستخدمة فيها.

3 التشغيل / إيقاف التشغيل

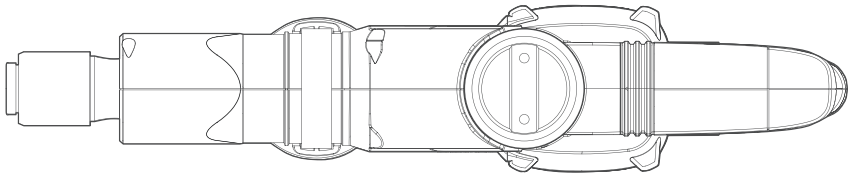
1. قبل إدخال مقيس التيار الكهربائي للآلة، من الضروري التأكد مما إذا أمكن تفعيل مفتاح التشغيل / إيقاف التشغيل بسهولة وما إذا أمكن إعادته إلى الوضع "إيقاف تشغيل" بعد تحرير المفتاح. اضغط على مفتاح التشغيل / إيقاف التشغيل لبدء تشغيل الآلة. حرر مفتاح التشغيل / إيقاف التشغيل لإيقاف تشغيل الآلة.
2. خلال التشغيل المستمر، اضغط على مفتاح التشغيل / إيقاف التشغيل ثم اضغط على زر القفل الذاتي. لإغلاق الآلة من الوضع المقفول، اضغط على مفتاح التشغيل / إيقاف التشغيل حتى النهاية ثم حرره.

تحذير: إذا كانت الماكينة ساخنة للغاية، فيرجى تركها تعمل لمدة تتراوح من دقيقتين إلى 3 دقائق دون تحميل لتبريد المحرك.



4 الحفر والتقسير والتفكيك

تأكد من الإمساك بكل من المقبض الإضافي ومقبض المفتاح، أثناء التشغيل، وامسك الأداة بإحكام ثم ابدء تشغيل الأداة واضغط عليها برفق، وبذلك تتجنب ارتدادها ومن ثم فقدان السيطرة عليها. ولا تتسّن أن الضغط على الأداة بقوة لن يؤدي إلى تحسين مستوى الأداء الفعال لها.

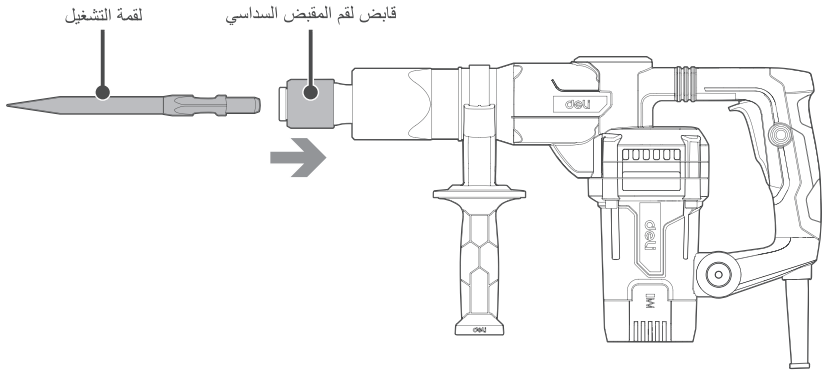


ملاحظة: اقرأ دليل التعليمات قبل التشغيل.

1 تركيب أو إزالة لقمة التشغيل

تحذير! تأكد من إغلاق مصدر التيار الكهربائي الخاص بالجهاز وفصل سلك التيار الكهربائي من مقبس الطاقة قبل تركيب لقمة التشغيل أو إزالتها. تركيب لقمة التشغيل: اسحب قابض لقم المقبض السداسي إلى الأسفل تمامًا ثم أدخل لقمة التشغيل داخل حامل لقمة التشغيل حتى نهايته. إذا تحرر قابض لقم المقبض السداسي، ستعود هذه الحلقة إلى وضعها الأصلي لتأمين لقمة التشغيل. بعد التركيب، تأكد من سحب لقمة التشغيل للتأكد من تأمين اللقمة كما ينبغي.

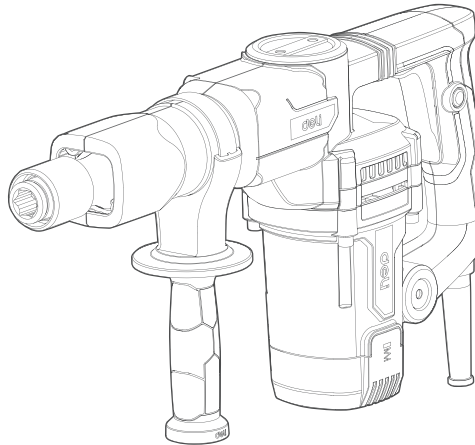
لإزالة لقمة التشغيل، اسحب حلقة الضبط بالكامل لأسفل لإخراج لقمة التشغيل.



2 تركيب أو إزالة لقمة التشغيل

- تحذير! تأكد من إغلاق مصدر التيار الكهربائي الخاص بالجهاز وفصل سلك التيار الكهربائي من مقبس الطاقة قبل تركيب لقمة التشغيل أو إزالتها.
- تركيب لقمة التشغيل: اسحب قابض لقم المقبض السداسي إلى الأسفل تمامًا ثم أدخل لقمة التشغيل داخل حامل لقمة التشغيل حتى نهايته. إذا تحرر قابض لقم المقبض السداسي، ستعود هذه الحلقة إلى وضعها الأصلي لتأمين لقمة التشغيل. بعد التركيب، تأكد من سحب لقمة التشغيل للتأكد من تأمين اللقمة كما ينبغي.

لإزالة لقمة التشغيل، اسحب حلقة الضبط بالكامل لأسفل لإخراج لقمة التشغيل.



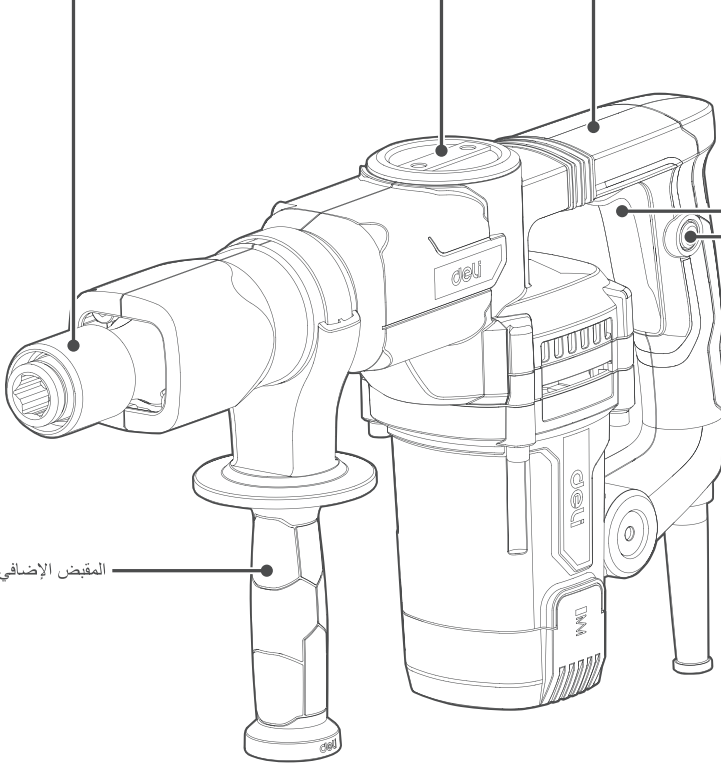
قابض لقم المقيض السداسي

غطاء الزيت

مقيض مضاد للاهتزازات

مفتاح التشغيل /
زر القفل

المقيض الإضافي



3. منع بدء التشغيل غير المقصود. تأكد من أن المفتاح في وضع إيقاف التشغيل قبل توصيل القابس بمصدر الطاقة و / أو تركيب حزمة البطارية، أو عند التقاط أو حمل الأداة.
حمل الأدوات الكهربائية وإصبعك على المفتاح أو أدوات الإمداد الكهربائية التي تحتوي على مفتاح قد يسبب للحوادث.

4. أزل أو مفتاح ضبط أو مفتاح ربط قبل تشغيل الأداة الكهربائية. حيث إنه من المتوقع أن يتسبب ترك هذا المفتاح معلقًا بالجزء الدوار بالالة في وقوع إصابات شخصية.

5. لا تمشي فوق الجهاز. واحرص على ثبات موطى القدم والتوازن في جميع الأوقات. فبذلك يمكن التحكم في الأداة الكهربائية بشكل أفضل في المواقف غير المتوقعة.

6. ارتداء الملابس بشكل صحيح. لا ترتدي ملابس فضفاضة أو مجوهرات. احرص على إبعاد شعرك وملابسك عن الأجزاء المتحركة. يمكن للملابس الفضفاضة أو المجوهرات أو الشعر الطويل أن يعلق في الأجزاء المتحركة.

7. إذا تم توفير أجهزة لتوصيل مرافق شفط وتجميع الغبار، فتأكد من توصيلها واستخدامها بشكل صحيح. استخدام أنظمة تجميع الغبار قد يقلل من المخاطر المرتبطة بالغبار.

8. لا تدع المعرفة المكتسبة من الاستخدام المتكرر للأدوات تشعرك بالرضا وتتجاهل مبادئ أمان الأداة. الإهمال قد يتسبب في إصابة خطيرة في غمضة عين.

استخدام الأدوات الكهربائية والعناية بها

1. لا تجبر الأداة الكهربائية على القيام بمهام لم تصمم لتنفيذها. استخدم أداة الكهربائية المناسبة للمهمة. ستنتج الأداة الكهربائية العمل بشكل أفضل وأكثر أمانًا بالمعدل الذي صممت من أجله.

2. لا تستخدم الأداة الكهربائية إذا كان المفتاح لا يقوم بتشغيلها وإيقاف تشغيلها. أي أداة كهربائية لا يمكن التحكم فيها باستخدام المفتاح تعتبر أداة خطيرة ويلزم إصلاحها.

3. أفضل القابس عن مصدر الطاقة و / أو اخرج حزمة البطارية من الأداة الكهربائية قبل إجراء أي تعديلات أو تغيير للملحقات أو عند تخزين الأدوات الكهربائية. حيث تعمل مثل هذه الإجراءات الوقائية على الحد من خطر التشغيل المفاجئ للالة.

4. قم بتخزين الآلات الكهربائية المعطلة بعيدا عن متناول الأطفال مع عدم السماح لأي شخص ليس على دراية بكيفية استخدام الآلة الكهربائية أو بتعليمات تشغيلها. تصبح الأدوات الكهربائية خطيرة عندما تكون في أيدي غير المدربين.

5. احرص على صيانة الأداة الكهربائية وملحقاتها. تحقق من عدم وجود أي عائق أو تعارض بين الأجزاء المتحركة ، وعدم وجود أي كسر في القاطع وأي حالة أخرى قد تؤثر على تشغيل الأدوات الكهربائية. في حالة تلف الأداة الكهربائية، قم بإصلاح الأداة قبل الاستخدام. سوء صيانة الأدوات الكهربائية يتسبب في العديد من الحوادث.

6. حافظ على أدوات القطع حادة ونظيفة. أدوات القطع ذات الحواف الحادة التي يتم صيانتها بشكل صحيح تكون أقل عرضة للتلف وأسهل في التحكم بها.

7. استخدم الأداة الكهربائية والملحقات والريش وما إلى ذلك وفقاً لهذه التعليمات، مع مراعاة ظروف العمل والعمل الذي يتعين القيام به. استخدام الأداة الكهربائية في تنفيذ مهام مختلفة عما صممت من أجله قد يتسبب عنه أوضاع خطيرة.

8. حافظ على المقابض وأسطح الإمساك جافة ونظيفة وخالية من الزيوت والشحوم. لا تسمح المقابض الزلقة وأسطح الإمساك بالتعامل الآمن مع الأداة والتحكم فيها في المواقف غير المتوقعة.

الخدمة

1. لا تقم بصيانة اداتك الكهربائية إلا بواسطة فني إصلاح مؤهل لاستخدام قطع غير متطابقة. وذلك للحفاظ على سلامة الأداة الكهربائية.

تحذيرات السلامة الخاصة بالمطرقة

تعليمات السلامة لجميع أعمال التشغيل

1. ارتداء واقبات الأذن. قد يتسبب التعرض للضواء في فقدان السمع.

2. استخدام المقبض (المقابض) الملحقة، إذا كانت مرفقة مع الجهاز. قد يتسبب فقدان السيطرة على الجهاز في وقوع إصابة شخصية.

3. أحكم ربط الجهاز كما ينبغي قبل استخدامه. يُؤد هذا الجهاز عزم دوران عالٍ، لذا عند عدم إحكام ربطه كما ينبغي أثناء التشغيل فإنه يتسبب في فقدان السيطرة مما ينتج عن وقوع إصابات شخصية.

4. امسك الأداة الكهربائية بمقابض ذات أسطح عازلة فقط عند التشغيل، حيث توجد إمكانية مساس ملحق القطع بالأسلاك المخفية أو السلك المتصل بها. قد يؤدي قطع الملحقات الملامسة للأسلاك "المكهربة" إلى جعل الأجزاء المعدنية المكشوفة من أداة الطاقة "المكهربة" وقد يصيب عامل التشغيل بصدمة كهربائية.

إرشادات السلامة المتبعة عند استخدام لقم الحفر مع المطارق الدوارة

1. ابدأ دائماً بالحفر على سرعة منخفضة بحيث يكون طرف اللقمة ملامساً لسطح العمل. عند الحفر على سرعة عالية، تلتوي اللقمة إذا دارت بشكل حر دون ملامستها لسطح العمل وقد ينتج عن ذلك وقوع إصابات شخصية.

2. اضغط قليلاً في خط مباشر باستخدام اللقمة وتجنب الضغط الشديد. قد تلتوي اللقمة مما ينتج عن ذلك كسرها أو فقدان السيطرة على الجهاز مما يؤدي إلى وقوع إصابات شخصية.

DE-DG5-2G	DE-DG5-2E	الطرز
220-240 فولت ~ 60 /50 هرتز		القيمة المُقدرة للجهد الكهربى
1200 واط		القدرة الكهربائية المقدرة للإدخال
3900 دقة في الدقيقة		عدد الضربات
20 جول		طاقة الاصطدام
II / 		فئة السلامة
30 ثانية/ 90 ثانية		نظام التشغيل
6 كجم		وزن الماكينة

الملحقات القياسية:

- مفتاح الربط
- الشحم

يُصح باختيار الملحقات من مكان الشراء الأصلي للأداة الكهربائية. يُرجى اختيار الملحقات الصحيحة التي تحتاجها لإنجاز عملك. يُرجى الاطلاع على حزمة الملحقات لتحقيق الاستخدام الأفضل للجهاز والمساعدة.

الرموز

	علامة التحذير		اقرأ دليل التعليمات
	يرجى ارتداء نظارات السلامة		يرجى ارتداء واقيات السمع
	عزل مزدوج		
	يرجى ارتداء قناع الوقاية		

تعليمات التشغيل

تحذيرات السلامة العامة للأداة الكهربائية

تحذير احرص على قراءة جميع تحذيرات السلامة والتعليمات والرسوم التوضيحية والمواصفات المتوفرة مع الأداة الكهربائية هذه. يؤدي عدم اتباع جميع التعليمات المدرجة أثناء إلى حدوث صدمة كهربائية أو نشوب حريق و/أو التسبب في حدوث إصابة بالغة.
حتفظ بجميع التحذيرات والتعليمات لاستخدامها كمرجع في المستقبل.
يشير مصطلح "الأداة الكهربائية" في التحذيرات إلى الأدوات التي تعمل بالكهرباء (السلوكية) أو التي تعمل بالطارية (اللاسلكية).

سلامة منطقة العمل

1. حافظ على مساحة العمل نظيفة وجيدة الإضاءة. المناطق الفضوية أو المظلمة قد تسبب في وقوع الحوادث.
2. لا تقم بتشغيل الأدوات الكهربائية في الأجواء المتفجرة، مثل وجود سوائل قابلة للاشتعال أو غازات أو غبار. ينتج عن الأدوات الكهربائية شرارات قد تسبب في اشتعال الغبار أو الأبخرة.
3. احرص على إبقاء الأطفال والمارة بعيداً أثناء تشغيل الأداة الكهربائية. قد تفقد السيطرة نتيجة التشتت.

السلامة الكهربائية

1. يجب أن تتناسب مقابس الأداة الكهربائية مع المنفذ. ممنوع تماماً تعديل القابس بأي شكل من الأشكال. لا تستخدم أي مقابس تحويل مع الأداة الكهربائية المورضة. المقابس غير المحولة والمخارج الكهربائية المطابقة تقلل من خطر التعرض للصدع الكهربائي.

2. تجنب ملامسة جسدك للأسطح المورضة، مثل الأنابيب والمشعات والمواقف والثلاجات. يتزايد خطر التعرض للصدع الكهربائي في حالة تاربيض جسدك.

3. لا تعرض الأداة الكهربائية للمطر أو الظروف الجوية الرطبة. دخول المياه إلى الأداة الكهربائية يزيد من خطر التعرض للصدع الكهربائي.

4. لا تسمي استعمال السلك الكهربائي. ممنوع تماماً حمل الأداة الكهربائية أو سحبها أو فصلها باستخدام السلك. ابعاد السلك عن الحرارة أو الشحوم أو الحواف الحادة أو الأجزاء المتحركة. الأسلاك التالفة أو المتشابكة تزيد من خطر التعرض للصدع الكهربائي.

5. يرجى استخدام كابل إطالة مناسب للاستخدام الخارجي، عند تشغيل الآلة الكهربائية في الهواء الطلق. استخدام سلك مناسب للاستخدام في المناطق الخارجية يقلل من خطر التعرض للصدع الكهربائي.

6. في حال أصبح تشغيل الآلة في مكان رطب أمراً لا مفر منه، استخدم وحدة إمداد كهربائية محمية بالتيار المتبقي (RCD). استخدم قاطع دائرة التيار المتبقي (RCD) يقلل من خطر التعرض للصدع الكهربائي.

السلامة الشخصية

1. كن حذراً، وانتبه لما تقوم به وانتبه عند تشغيلك للأداة الكهربائية. لا تستخدم الأداة الكهربائية إذا كنت مرهقاً أو تحت تأثير العقاقير أو الكحوليات أو الأدوية. قد تؤدي الغفلة للحظة واحدة أثناء تشغيل الأدوات الكهربائية إلى تعرض الأشخاص لإصابة خطيرة.
2. معدات الوقاية الشخصية. احرص دائماً على ارتداء نظارات حماية العين. معدات الوقاية مثل كامنة الغبار أو أحذية السلامة غير القابلة للانزلاق أو القبعة الصلبة أو واقيات السمع مستقل من حدوث الإصابات

