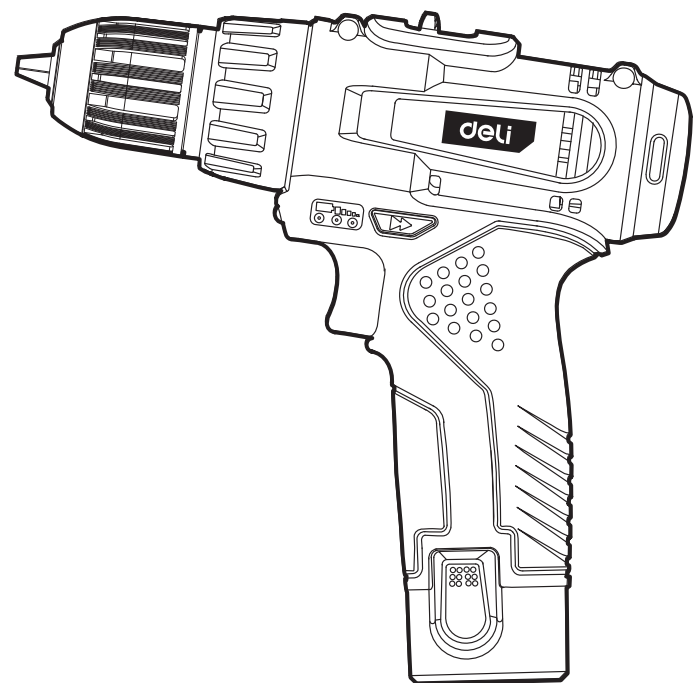


User Manual

LITHIUM-ION CORDLESS DRILL



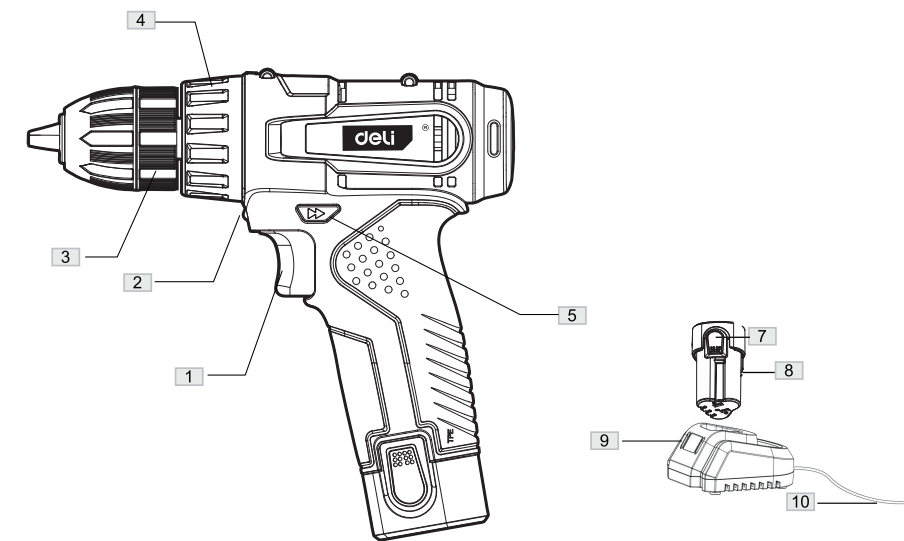
DESCRIPTION OF THE TOOL

OPERATING CONTROL



The tool is intended for driving in and loosening screws as well as for drilling in wood, metal, ceramic and plastic.

1. MAIN PARTS



2. TOOL SPECIFICATIONS

Model	DL-DZ12-E1A1/DL-DZ12-E2D1
Motor(V)	12
No-load speed(/min)	0-400/0-1300
Max torque (Nm)	22
Max clutch (mm)	10
Drill weight (kg)	1.0
Battery type	Lithium-Ion
Charger input(V)	110-240
Allowable temperature range (°C)	5-40

NOTE: Due to **deli** continuing program of development, the specifications herein are subject of change without prior notice.

GENERAL SAFETY RULES



WARNING: Read all instructions. Failure to follow all instructions listed below may result in electric shock, fire and/or serious personal injury.

SAVE THESE INSTRUCTIONS

The term "power tool" in all of the warnings listed below refers to your mains operated (corded) power tool or battery operated (cordless) power tool.

1. Workplace

1) Keep workplace clean and well lit. Cluttered and dark workplaces invite accidents.

2) Do not operate power tools in explosive atmospheres, such as in the presence of flammable liquids, gases or dust. Power tools create sparks which may ignite the dust or fumes.

3) Keep children and bystanders away while operating a power tool. Distractions can cause you to lose control.

2. Electrical safety

1) Power tool plugs must match the outlet. Never modify the plug in any way. Do not use any adapter plugs with earthed (grounded) power tools. Unmodified plugs and matching outlets will reduce risk of electric shock.

2) Avoid body contact with earthed or grounded surfaces such as conduits, radiators, and refrigerators. There is an increased risk of electric shock if your body is earthed or grounded.

3) Do not expose power tools to rain or wet conditions. Water entering a power tool will increase the risk of electric shock.

4) Do not abuse the cord. Never use the cord for carrying, pulling or unplugging the power tool. Keep cord away from heat oil, sharp edges or moving parts. Damaged or entangled cords increase the risk of electric shock.

5) When operating a power tool outdoors, use an extension cord suitable for outdoor use. Use of a cord suitable for outdoor use reduces the risk of electric shock.

3. Personal safety

1) Stay alert, watch what you are doing and use common sense when operating a power tool. Do not use a power tool while you are tired or under the influence of drugs, alcohol or medication. A moment of inattention while operating power tools may result in serious personal injury.

2) Use safety equipment. Always wear eye protection. Safety equipment such as dust mask, non-skid safety shoes, hard hat, or hearing protection used for appropriate conditions will reduce personal injuries.

3) Avoid suddenly starting. Ensure the switch is in the off position before plugging in. When your finger on the switch or plugging in power tools that have the switch on invites accidents.

4) Remove any adjusting key or wrench before turning the power tool on. A wrench or a key left attached to a rotating part of the power tool may result in personal injury.

5) Do not overreach. Keep proper footing and balance at all times. This enables better control of the power tool in unexpected situations.

6) Dress properly. Do not wear loose clothing or jewellery. Keep your hair, clothing and gloves away from moving parts. Loose clothes, jewellery or long hair can be caught in moving parts.

7) If devices are provided for the connection of dust extraction and collection facilities, ensure these are connected and properly used. Use of these devices can reduce dust related hazards.

4. Power tool use and care

1) Do not force the power tool. Use the correct power tool for your application. The correct power tool will do the job better and safer at the rate for which it was designed.

2) Do not use the power tool if the switch does not turn it on and off. Any power tool that cannot be controlled with the switch is dangerous and must be repaired.

3) Disconnect the plug from the power source be-fore making any adjustments, changing accessories, or storing power tools. Such preventive safety measures reduce the risk of starting the power tool accidentally.

4) Store idle power tools out of the reach of children and do not allow persons unfamiliar with the power tool or these instructions to operate the power tool. Power tools are dangerous in the hands of untrained users.

5) Maintain power tools. Check for misalignment or binding of moving parts, breakage of parts and any other condition that may affect the power tools operation. If damaged, have the power tool repaired before use. Many accidents are caused by poorly maintained power tools.

6) Keep cutting tools sharp and clean. Properly maintained cutting tools with sharp cutting edges are less likely to bind and are easier to control.

7) Use the power tool, accessories and tool bits etc., in accordance with these instructions and in the manner intended for the particular type of power tool, taking into account the working conditions and the work to be performed. Use of the power tool for operations different from those intended could result in a hazardous situation.

5. Battery tool use and care

1) Recharge only with the charger specified by the manufacturer. A charger that is suitable for one type of battery pack may create a risk of fire when used with another battery pack.

2) Use power tools only with specifically designated battery packs. Use of any other battery packs may create a risk of injury and fire.

3) When battery pack is not in use, keep it away from other metal objects, like paper clips, coins, keys, nails, screws or other small metal objects that can make a connection from one terminal to another. Shorting the battery terminals together may cause burns or a fire.

4) Under abusive conditions, liquid may be ejected from the battery; avoid contact. If contact accidentally occurs, flush with water. If liquid contacts eyes, additionally seek medical help. Liquid ejected from the battery may cause irritation or burns.

6. Service

1) Have your power tool serviced by a qualified repair person using only identical replacement parts. This will ensure that the safety of the power tool is maintained.

SAFETY RULES FOR BATTERY PACK

1. Avoid unintentional switching on, ensure the on/off switch is in the off position before inserting battery pack. Carrying the power tool with your finger on the on/off switch or inserting the battery pack into power tools that have the switch on invites accidents.

2. Do not open the battery. Danger of short-circuiting.

3. Protect the battery against heat, e.g., also against continuous sun irradiation and fire. There is danger of explosion.

4. In case of damage and improper use of the battery, vapors may be emitted. Provide for fresh air and seek medical help in case of complaints. The vapors can irritate the respiratory system.

5. When the battery is defective, liquid can escape and come into contact with adjacent components. Check any parts concerned. Clean such parts or replace them, if required.

6. Use the battery only in conjunction with your power tool. This measure alone protects the battery against dangerous overload.

7. Only use charge the battery with the genuine charger together. Use with other type of charger may result in a fire.

8. Do not crush, drop or damage the battery pack. Do not use a battery pack or charger that has been dropped or received a sharp blow. A damaged battery is subject to

explosion. Properly dispose of a dropped or damaged battery immediately.

9. Do not charge a battery tool in a damp or wet location. Following this rule will reduce the risk of electric shock.

SAFETY RULES FOR CHARGER

1. Protect the battery charger from rain and moisture. Water penetration in a battery charger increases the risk of electric shock.

2. Do not charge other batteries. The battery charger is suitable only for charging lithium-ion batteries within the listed voltage range. Otherwise there is danger fire and explosion.

3. Keep the battery charger clean. Contamination may increase the risk of electric shock.

4. Before using, always check the charger, cable and plug. If defects are detected, do not use the charger; never open the charger. Instead, have it opened and repaired only by qualified personnel who will use original spare parts. Damaged chargers, cables and plugs increase the risk of electric shock.

5. Do not operate the charger on easily inflammable surface (e.g. paper, textiles, etc.) or combustible surroundings. The heating of the charger during charging may cause a fire.

6. Plug the charger within the listed voltage range on the charger.

7. Unplug the charger from the electrical outlet before attempting any maintenance or cleaning to reduce the risk of electric shock.

8. Disconnect charger from the power supply when not in use. This will reduce the risk of electric shock or damage to the charger if metal items should fall into the opening.

9. Risk of electric shock. Do not touch the un-insulated portion of output connector or un-insulated battery terminal.

ADDITIONAL SAFETY RULES FOR DRILL

1. Use suitable detectors to determine if utility lines are hidden in the work area or call the local utility company for assistance. Contact with electric lines can lead to fire and electric shock. Damaging a gas line can lead to explosion. Penetrating a water line causes property damage.

2. Switch off the power tool immediately when the tool inserts jams. Be prepared for high reaction torque that can cause kickback. The tool insert jams when:

--the power tool is subject to overload or --it becomes wedged in the workpiece.

3. Hold the power tool only by the insulated gripping surfaces, when performing an operation where the cutting tool may run into hidden wiring. Contact with a "live" wire will make exposed metal parts of the tool "live" and shock the operator.

4. Hold the power tool with a firm grip. High reaction torque can briefly occur while driving in and loosening screws.

5. Secure the workpiece. A workpiece clamped with clamping devices or in a vice is held more secure than by hand.

6. Keep your workplace clean. Blends of materials are particularly dangerous. Dust from light alloys can burn or explode.

7. Always wait until the power tool has come to a complete stop before placing it down. The tool insert can jam and lead to loss of control over the power tool.

8. The tool can only be used with battery genuine together.

9. Never use the battery pack as a hammer, beat the battery pack could result in accident short, fire or explode.



WARNING: Some dust created by power Cutting contains chemicals known to cause cancer, birth defects or other reproductive harm. Some examples of these chemicals are:

- lead from lead-based paints
- Arsenics and chromium from chemically reacted lumber.

Your risk from these exposures varies, depending on how often you do this type of work. To reduce your exposure to these chemicals: work in a well ventilated area, and work with approved safety equipment.

ACCESSORIES

- Charger
- Battery pack

Be sure to check the accessories as it is subject to change by areas and models.

OPERATION

1. BATTERY CHARGING

Please Indoor charging.

Use only the battery chargers listed on the accessories page. Only these battery chargers are matched to the lithium-ion battery of your power tool.

The battery is supplied partially charged. To ensure full capacity of the battery, completely charge the battery in the battery charger before using your power tool for the first time.

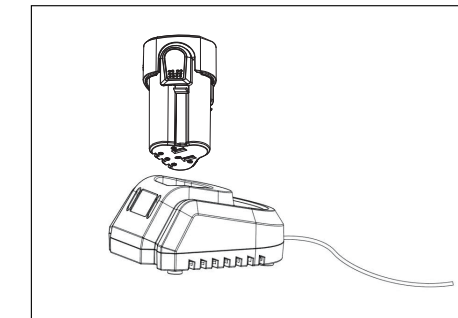
The lithium-ion battery can be charged at any time without reducing its service life. Interrupting the charging procedure does not damage the battery.

WARNING: Do not continue to press the on/off switch after the machine has been automatically switched off. The battery can be damaged.

To remove the battery7, press the battery release button 8 and pull out the battery downwards. **Do not exert any force.**

The battery is equipped with an NTC temperature control which allows charging only within a temperature range of between 5°C and 40°C. A long battery service life is achieved in this manner.

Observe the notes for disposal.

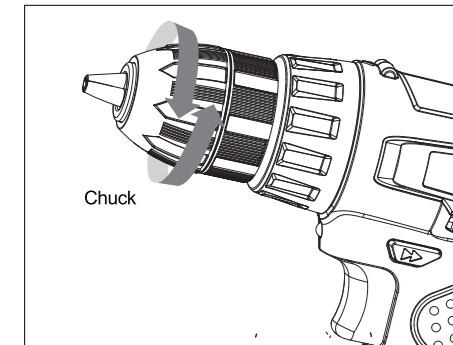


3. CHANGING THE TOOL

⚠ WARNING: Before any work on the power tool (e.g., maintenance, tool change, etc.) as well as during transport and storage, set the rotational direction switch to the center position. Unintentional actuation of the on/off switch can lead to injuries.

Hold the keyless chuck 3 firmly; turn it anti-clockwise, until the drilling bit can be inserted.

Hold the keyless chuck 3 firmly; turn it clockwise to lock the bit in position.



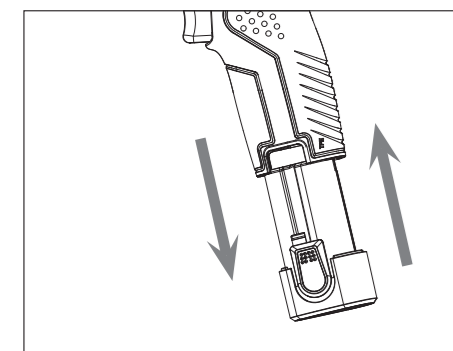
4. INSERTING THE BATTERY

⚠ WARNING: Use only DEVON lithium-ion batteries with the voltage listed on the nameplate of your power tool. Using other batteries can lead to injuries and pose a fire hazard.

NOTE: Use of batteries not suitable for the machine can lead to malfunctions of or cause damage to the power tool.

Set the rotational direction switch 5 to the center position in order to avoid unintentional starting.

Align the raised rib on the battery pack with the grooves of the drill, and then attach the battery pack to the drill, until you hear "click" to indicate the battery pack is attached tightly.

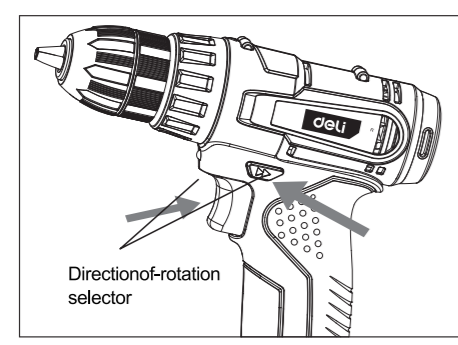


5. DIRECTION-OF ROTATION

The direction-of rotation switch 5 is used to reverse the rotational direction of the machine. However, this is not available when the on/off switch 1 actuated.

Right rotation: for drilling and driving in screws, push the direction-of-rotation switch 5 left to the stop.

Left rotation: for loosening and unscrewing screws and nuts, press the direction-of-rotation switch 5 through to the right stop.



6. SETTING THE TORQUE

With the Torque-adjustment ring 4 the required torque setting can be preselected in 17 steps. When using the drill for different driving applications, increase or decrease the torque in order to help prevent damaging screw, heads, threads, workpiece etc.

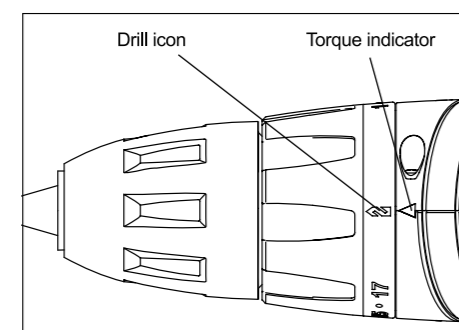
The proper setting depends on the job and the type of bit, and material you will be using. In general, use greater torque for larger screws. If the torque is too high, the screws may be damaged or broken.

For delicate operations, use a low torque setting. For operations such as drilling into hardwood, use a higher torque setting.

7. DRILL MODE

Select Drill mode for drilling and other heavy duty applications.

To select Drill mode, rotate the torque-adjustment ring until the icon aligns with the torque indicator and clicks into position.



8. VARIABLE SPEED TRIGGER SWITCH

To start the tool, press the switch 1, and keep it pressed.

To switch the unit off, release the switch

The variable speed trigger switch delivers higher speed with increased trigger pressure and lower speed with decreased trigger pressure.

9. FULLY AUTOMATIC SPINDLE LOCKING

When the on/off switch 1 is not pressed, the drill spindle and thus the tool holder are locked. This enables screws to be screwed in, even when the battery is empty and allows for the tool to be used as a screwdriver.

10. MECHANICAL SPEED ADJUSTMENT(only for 5262 and 5227.1)

The drill has a two-speed gearbox designed for drilling or driving at LO or HI speeds.

Use LO speed for loosening or driving screws. HI speed is better for drilling holes.

11. TEMPERATURE DEPENDENT OVERLOAD PROTECTION

When using as intended for, the power tool can not be subject to overload. When the load is too high or the allowable battery temperature range of 0-70°C is exceeded, the speed is reduced. The power tool will not run at full speed until

reaching the allowable battery temperature.

12. WORKLIGHT INDICATOR

The worklight indicator 2 is lit when the trigger switch 1 is depressed in whether the direction-of-rotation switch 5 is at the center position or at working time. It allows for illumination of the work area under unfavorable lighting conditions.

As the battery is depleted, the worklight indicator will flash 5 times per second. Suggest that use the tool after cooling naturally in order to prolong service life.

As the temperature of the tool is so high, the worklight indicator will flash slowly, about once per second. Suggest that charge in time in order not to take up your working time.

APPLICATION

⚠ WARNING: Apply the power tool to the screw only when it is switched off. Rotating tool inserts can slip off.

Check and make sure the direction-of rotation switch 5 is at the correct setting (left or right), hold the drill firmly on the insulated grip, and place the drill bit at the point to be drilled. Move the drill bit into the workpiece, applying only enough pressure to keep the bit cutting. Do not force the drill or apply side pressure to elongate a hole. Let the tool do the work.

NOTE: If the bit jams in the workpiece or if the drill stalls, stop the tool immediately. Remove the bit from the workpiece and determine the reason for jamming.

TOOL MAINTENANCE

⚠ WARNING: Before any work on the machine itself, remove the battery pack from the drill.

1. Inspect bolts periodically. If the bolts loosen, tighten them immediately, or will result in serious accident.
2. Inspect tool cords periodically. If damaged, have repaired at your nearest Authorized Service Center.
3. Keep the vents clean. Clean all parts of the tool, clean dust periodically. To prevent

debris from entry.

4. Replace the carbon brush when the carbon brush is worn out in certain length and motor stops running. All maintenance should be carried Out by Authorized Service Center, and only use identical DEVON repair parts.

5. All service MUST only be performed by Authorized Service Center. ALWAYS use only accessories that are recommended for this tool.

6. Cleaning. Avoid the use of plastic cracks caused by damage to the solvent. Use clean cloths and mild soap to remove dirt, dust, etc.

⚠ WARNING: Do not allow the water entering the motor and the tool full immersed in the ware, which will result in motor malfunction and electric shock.

ENVIRONMENT PROTECTION



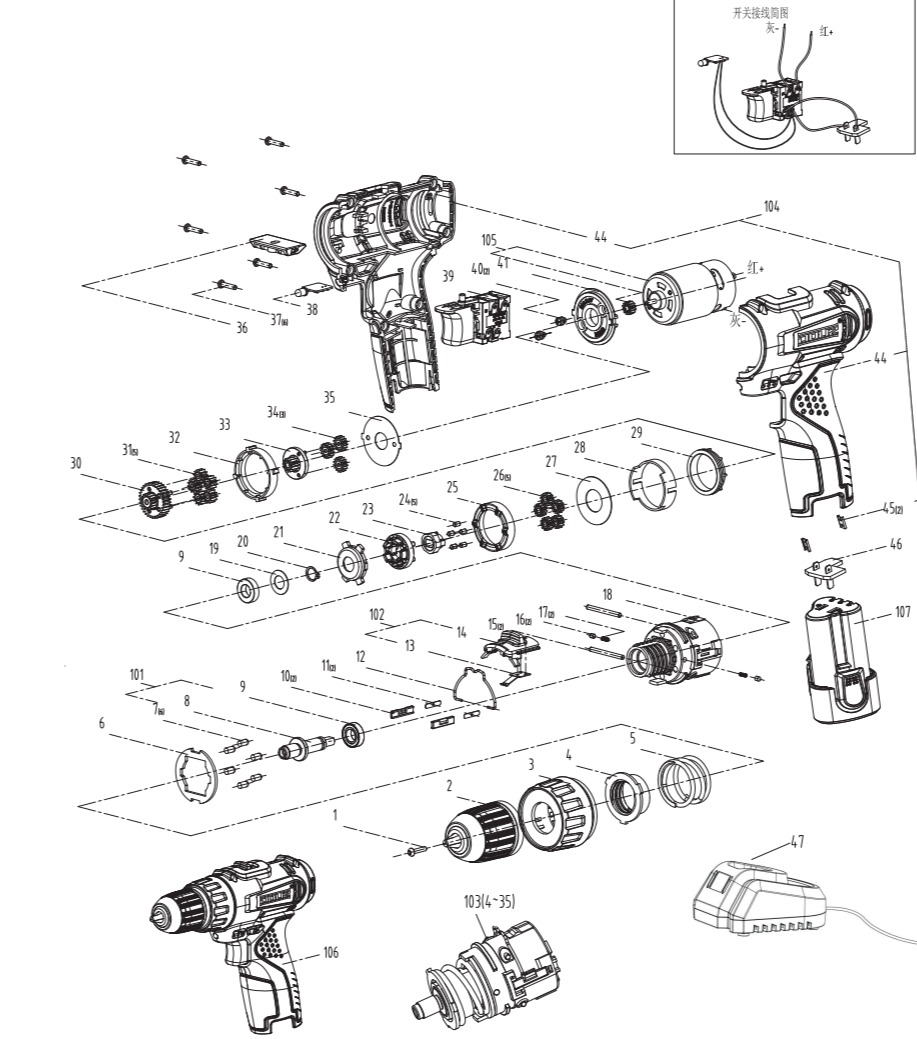
1. Tool, accessories and packaging should be sorted for environment-friendly recycling.
2. Power tools and accessories at the end of their service life still contain large amounts of valuable raw materials and plastics which can likewise be fed back into a recycling process.
3. Some dust created by working contains harmful chemicals must be collected by special garbage re- cycle site.

SERVICE

1. In case of guarantee, repair or purchase of replacement parts, always contact the qualified service center. And supplied with the efficient service card and invoice.
2. It is without the scope of guarantee when the tool was normal wear, overload or improper use of damage.

Problem Shooting

Problems	Reasons	Ways to Solve The Problems
The drill does not work	Battery is depleted	Charge the battery
Bit cannot be installed	Sleeve is not released	Release the sleeve
Motor overheating	Be sure cooling vents are free from saw dust and obstacles	Clean, clear vents. Do not cover with hand during operation



Position	Business	Parts name	Number
1	0018011	Triggering Screw	1
2	001680	Chuck	1
3	000545	Chuck Cap	1
4	000546	Sleeve	1
5	000570	Spring	1
6	000577	Output Shaft	1
7	000580	Ball Bearing	1
8	000581	Ball Bearing	1
9	000568	Pin	1
10	000569	Shift Spring	1
11	000568	Shift Spring	1
12	000568	Shift Spring	1
13	000568	Oil Seal Washer	1
14	000571	Oil Seal Cover	1
15	000571	Oil Seal Cover	1
16	000565	Washer 4	1
17	000562	Crutch for Shaft	1
18	000561	Lock Ring	1
19	000572	Lock Block	1
20	000569	Lock Pin	1
21	000573	Planet Gear Carrier 3	1
22	000573	Planet Gear Carrier 3	1
23	000573	Planet Gear Carrier 3	1
24	000573	Planet Gear Carrier 3	1
25	000573	Planet Gear Carrier 3	1
26	000560	Pin	1
27	000576	Ring GEAR Carrier	1
28	000576	Ring Gear 2	1
29	000577	Planet Gear Carrier 2	1
30	000577	Planet Gear Carrier 2	1
31	000581	Planet Gear Carrier 1	1
32	000560	Planet Gear 1	1
33	000562	Washer 1	1
34	000607	Screw M3	1
35	000548	Motor Flange	1
36	81290	Triggering Screw	1
37	000548	Triggering Screw	1
38	000548	Triggering Screw	1
39	000548	Triggering Screw	1
40	000548	Triggering Screw	1
41	000548	Triggering Screw	1
42	000548	Triggering Screw	1
43	000548	Triggering Screw	1
44	83880	Charge	1
45	000553	Top Shell	1
46	000555	Button	1
47	80270	Spring	1
48	87910	Output Shaft Assy	1
49	87910	Output Shaft Assy	1
50	87910	Output Shaft Assy	1
51	87910	Output Shaft Assy	1
52	87910	Output Shaft Assy	1
53	87910	Output Shaft Assy	1
54	87910	Output Shaft Assy	1
55	87910	Output Shaft Assy	1
56	87910	Output Shaft Assy	1
57	87910	Output Shaft Assy	1
58	87910	Output Shaft Assy	1
59	87910	Output Shaft Assy	1
60	87910	Output Shaft Assy	1
61	87910	Output Shaft Assy	1
62	87910	Output Shaft Assy	1
63	87910	Output Shaft Assy	1
64	87910	Output Shaft Assy	1
65	87910	Output Shaft Assy	1
66	87910	Output Shaft Assy	1
67	87910	Output Shaft Assy	1
68	87910	Output Shaft Assy	1
69	87910	Output Shaft Assy	1
70	87910	Output Shaft Assy	1
71	87910	Output Shaft Assy	1
72	87910	Output Shaft Assy	1
73	87910	Output Shaft Assy	1
74	87910	Output Shaft Assy	1
75	87910	Output Shaft Assy	1
76	87910	Output Shaft Assy	1
77	87910	Output Shaft Assy	1
78	87910	Output Shaft Assy	1
79	87910	Output Shaft Assy	1
80	87910	Output Shaft Assy	1
81	87910	Output Shaft Assy	1
82	87910	Output Shaft Assy	1
83	87910	Output Shaft Assy	1
84	87910	Output Shaft Assy	1
85	87910	Output Shaft Assy	1
86	87910	Output Shaft Assy	1
87	87910	Output Shaft Assy	1
88	87910	Output Shaft Assy	1
89	87910	Output Shaft Assy	1
90	87910	Output Shaft Assy	1
91	87910	Output Shaft Assy	1
92	87910	Output Shaft Assy	1
93	87910	Output Shaft Assy	1
94	87910	Output Shaft Assy	1
95	87910	Output Shaft Assy	1
96	87910	Output Shaft Assy	1
97	87910	Output Shaft Assy	1
98	87910	Output Shaft Assy	1
99	87910	Output Shaft Assy	1
100	87910	Output Shaft Assy	1
101	87910	Output Shaft Assy	1
102	87910	Output Shaft Assy	1
103	87910	Output Shaft Assy	1
104	87910	Output Shaft Assy	1
105	87910	Output Shaft Assy	1
106	87910	Output Shaft Assy	1
107	87910	Output Shaft Assy	1
108	87910	Output Shaft Assy	1



Product Warranty Card

Dear users : Thank you for buying our products. In order to ensure your profit, users who buy our products can contact local distributor or Specified repair stations with invoice and warranty cards if the product failures due to quality problems.

Warranty Notice:
 1. From _____ (Year/Month/Day) to _____ (Year/Month/Day),
 If the failure happen in normal use, our company will provide free warranty, parts replacement and other services according to the failure situation.

2. This warranty card and purchase invoice are the voucher of after-sales service provided by our company to customers. The card must be detailed only after filling in the following form and affixing the official seal with the distributor.

3. In one of the following cases, free warranty service will be invalid, and maintenance fees will be required:

- (1) Exceed the expiration date;
- (2) Failure or damage caused by not following the requirements of the product manual, maintenance or improper storage;
- (3) Failure or damage caused by disassembling, repairing or modification of the product without the permission of our company;
- (4) Machine breakdown or damage caused by force majeure;
- (5) Consumable accessories.

This card is issued with the product. One card for one machine, to ensure that you can fully enjoy the right to free warranty service provided by the company, please keep this card properly, lost will not be replaced.

Purchase Date: _____ (Year/Month/Day)

Reserved for future use
 Version: 1.0
 Date: May, 2021

NINGBO DELI TOOLS CO., LTD.
 No. 128 Chezhan West Road, Huangtan Town, Ninghai County, Ningbo, Zhejiang, China
 info@nbdeli.com www.delitools.com
 +86 574 87562689 MADE IN CHINA